

# Latching Relay

# LLR-T-1-80-1A-12D-P-BC-L



LLR - T - 1 - 80 - 1A - 12D - P - BC - L

Series Name:- LLR  
 Contact Terminal Type:- T  
 Single Phase:- 1  
 Contact rating:- 80A  
 Contact Form:- 1A  
 Coil:- 12D:- 12VDC Double coil  
 Coil Pins Polarity:- P:- Positive(Pin1+ve, Pin3-ve, Pin2+ve)  
 Internal Code:- BC  
 Contact Terminal Shape:- L shape

## 1) Characteristic

- Small size,80A switching capability.
- Low coil consumption, ultra-low temperature rise.
- Outline size:38.0x17.0x30.0mm.
- Low contact resistance.
- Strong anti-shock and anti-vibration capability.

## 2) Specification

Insulation resistance		1000MΩ (500VDC)
Dielectric Strength	Between Coil & Contacts	2500VAC 1min
	Between Open Contacts	1500VAC 1min
Operate Time		15msec. Max.
Release Time		15msec. Max.
Shock resistance	Functional	100m/S <sup>2</sup> (10g)
	Destructive	1000m/S <sup>2</sup> (100g)
Vibration resistance		10~55Hz 1.5mm
Humidity		98%RH ,40°C
Ambient temperature		-40~+55°C
Termination		Contact Terminal Type
Unit weight		42g
Constrution		Dust protected

## 3) Contact Data

Contact form	1A/1B
Contact material	Ag Alloy
Contact resistance	Max.: 1.0 mΩ
Contact Rating	80A 250VAC
Max. Switching Power	20000VA / 22500VA
Mechanical life	5×10 <sup>6</sup>
Electrical life	1×10 <sup>4</sup>

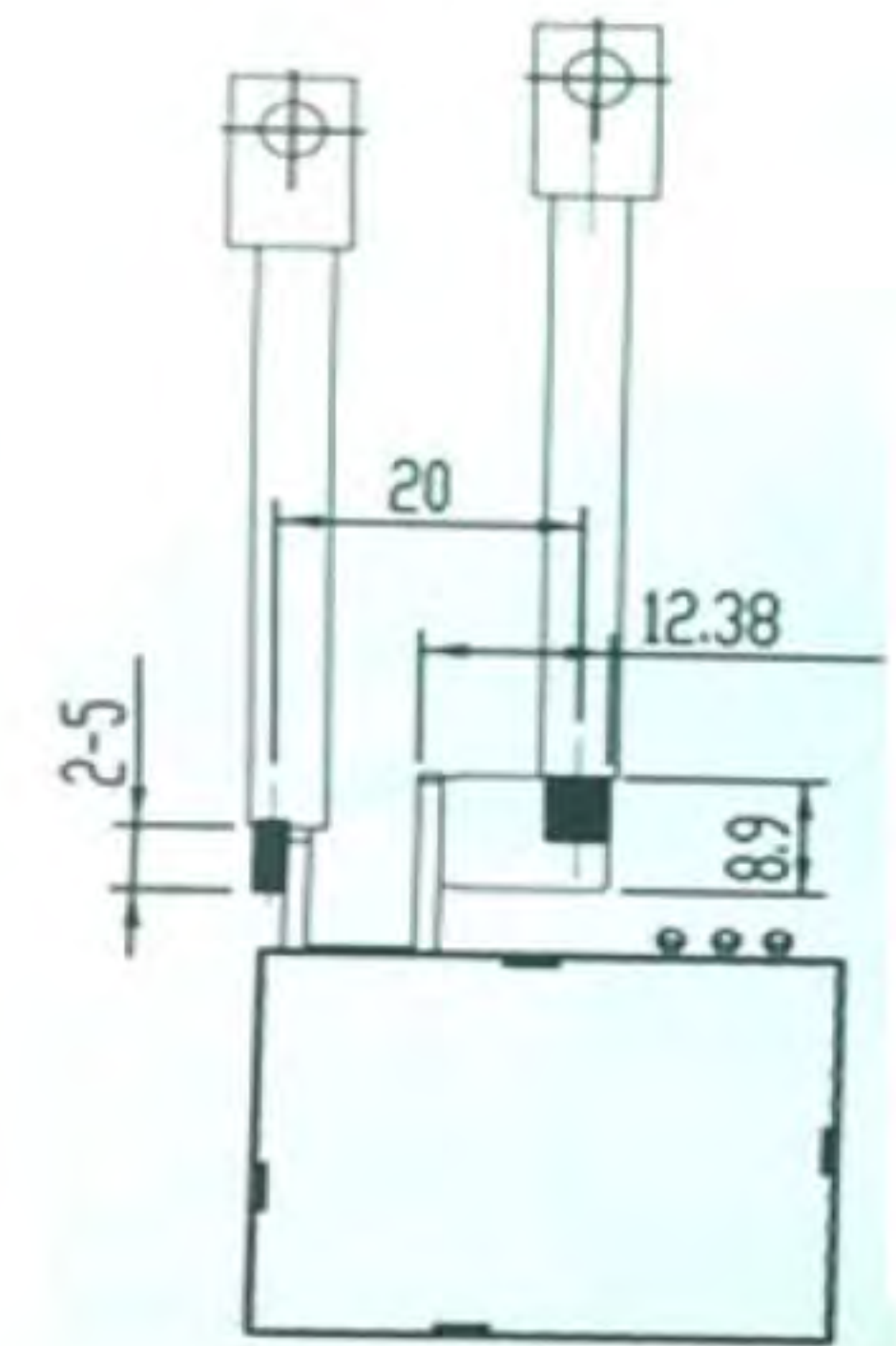
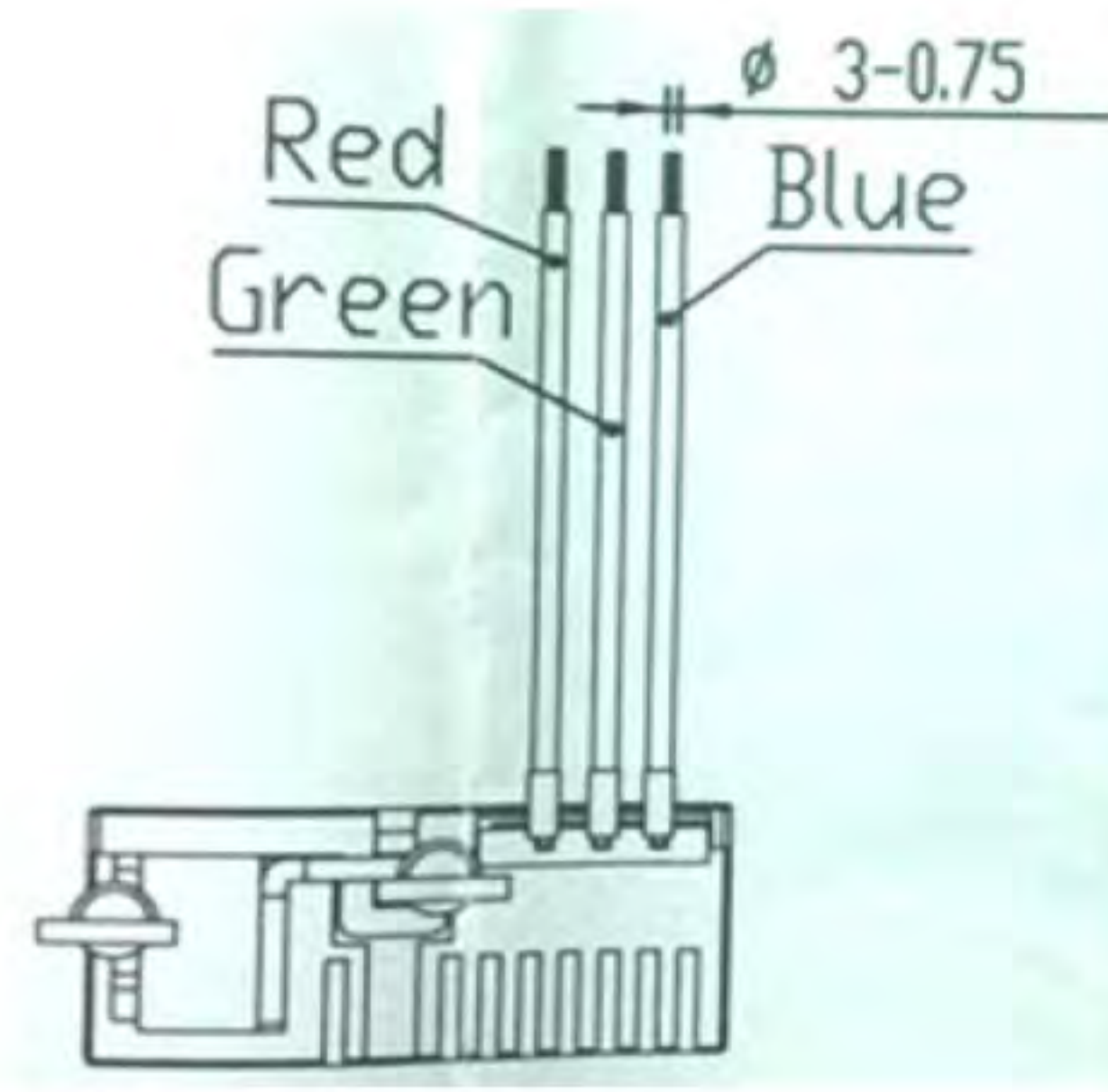
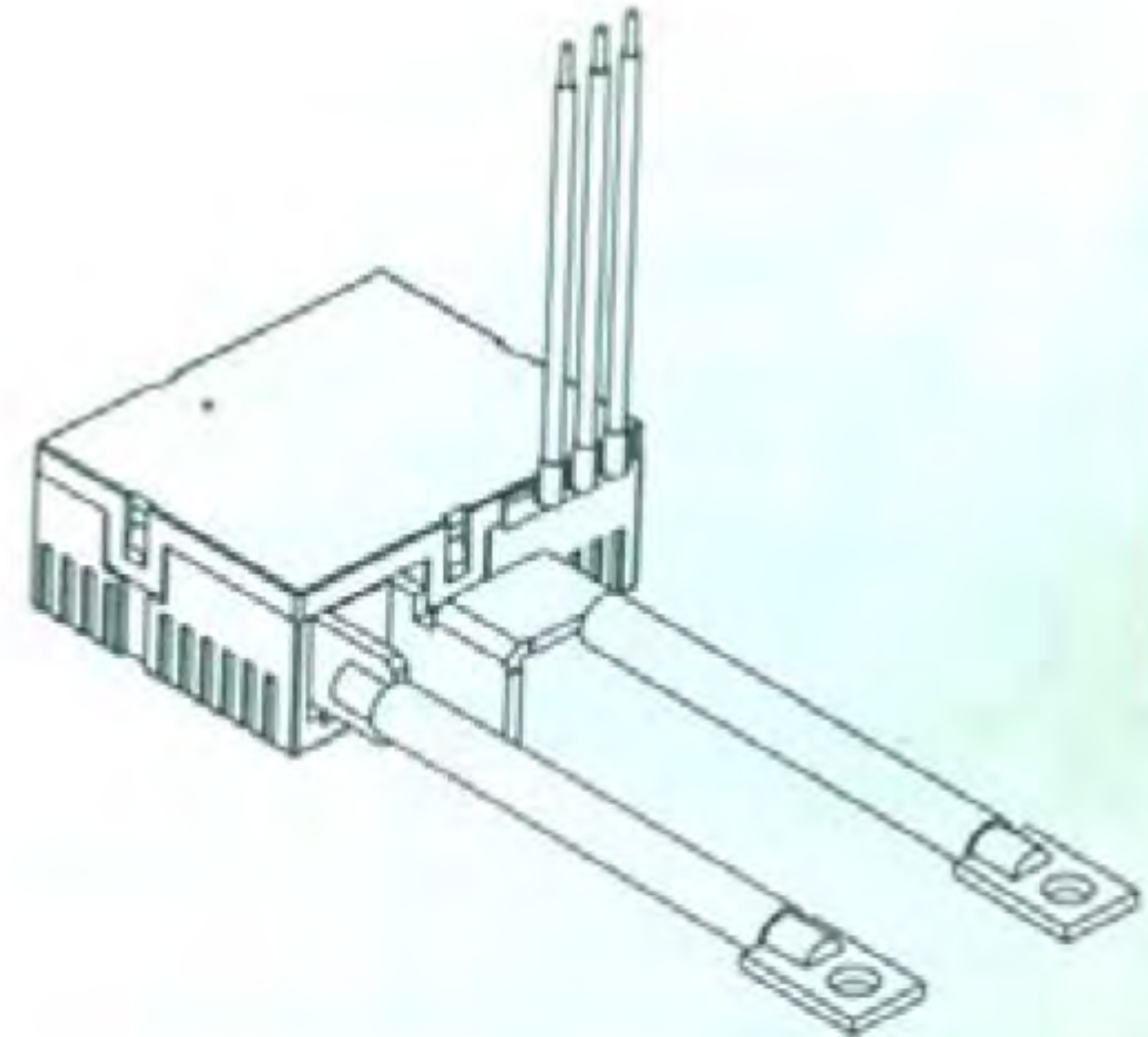
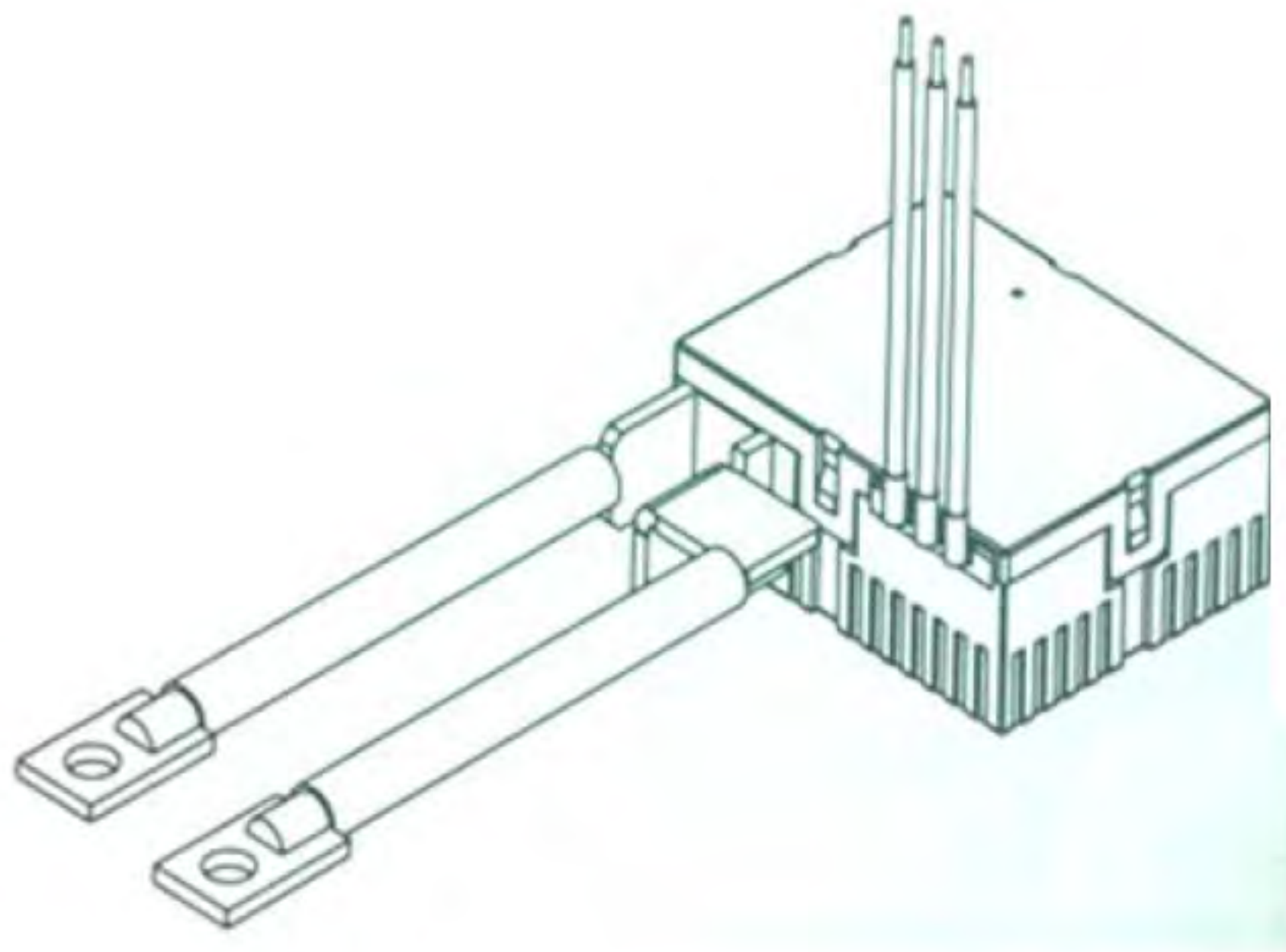
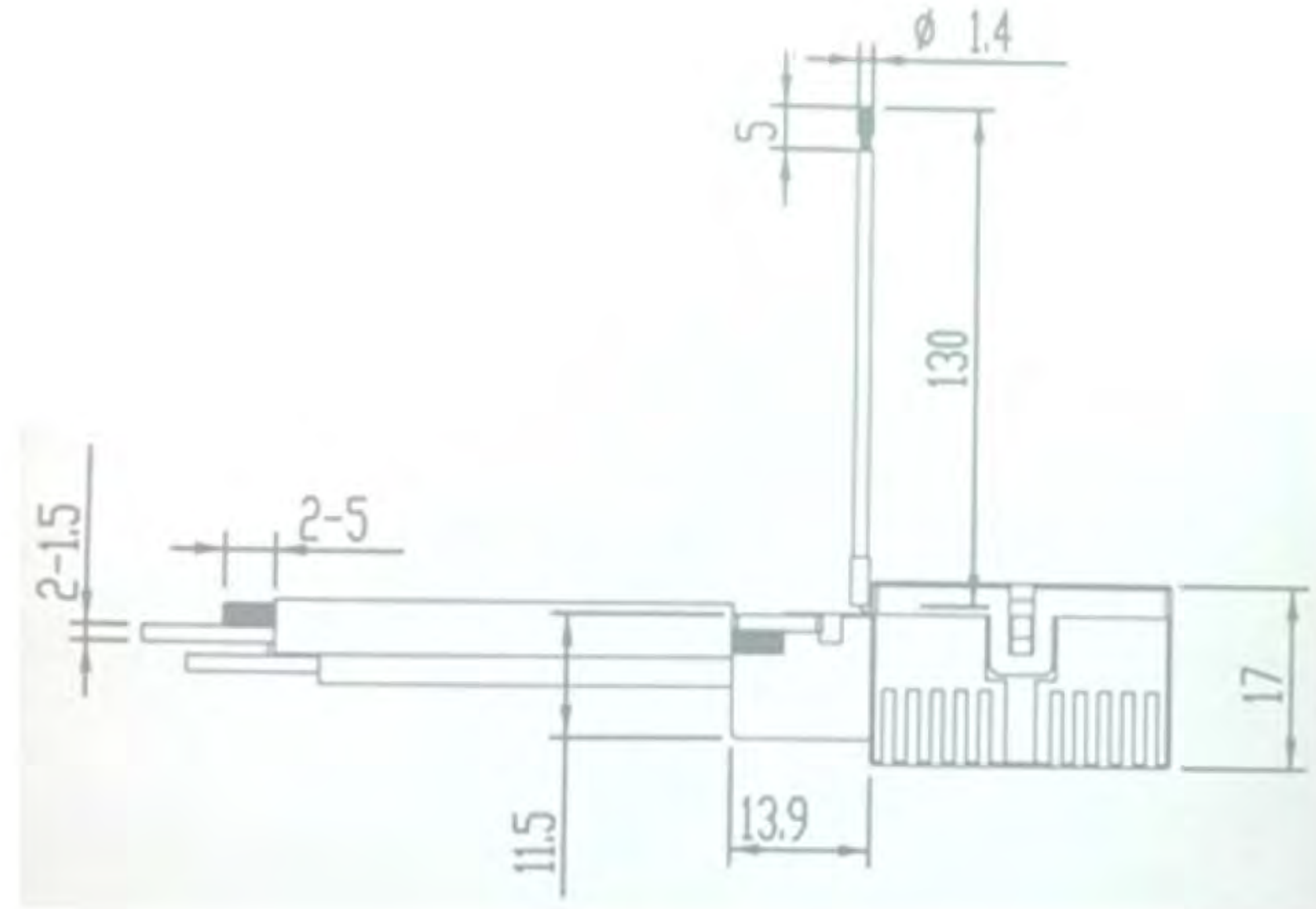
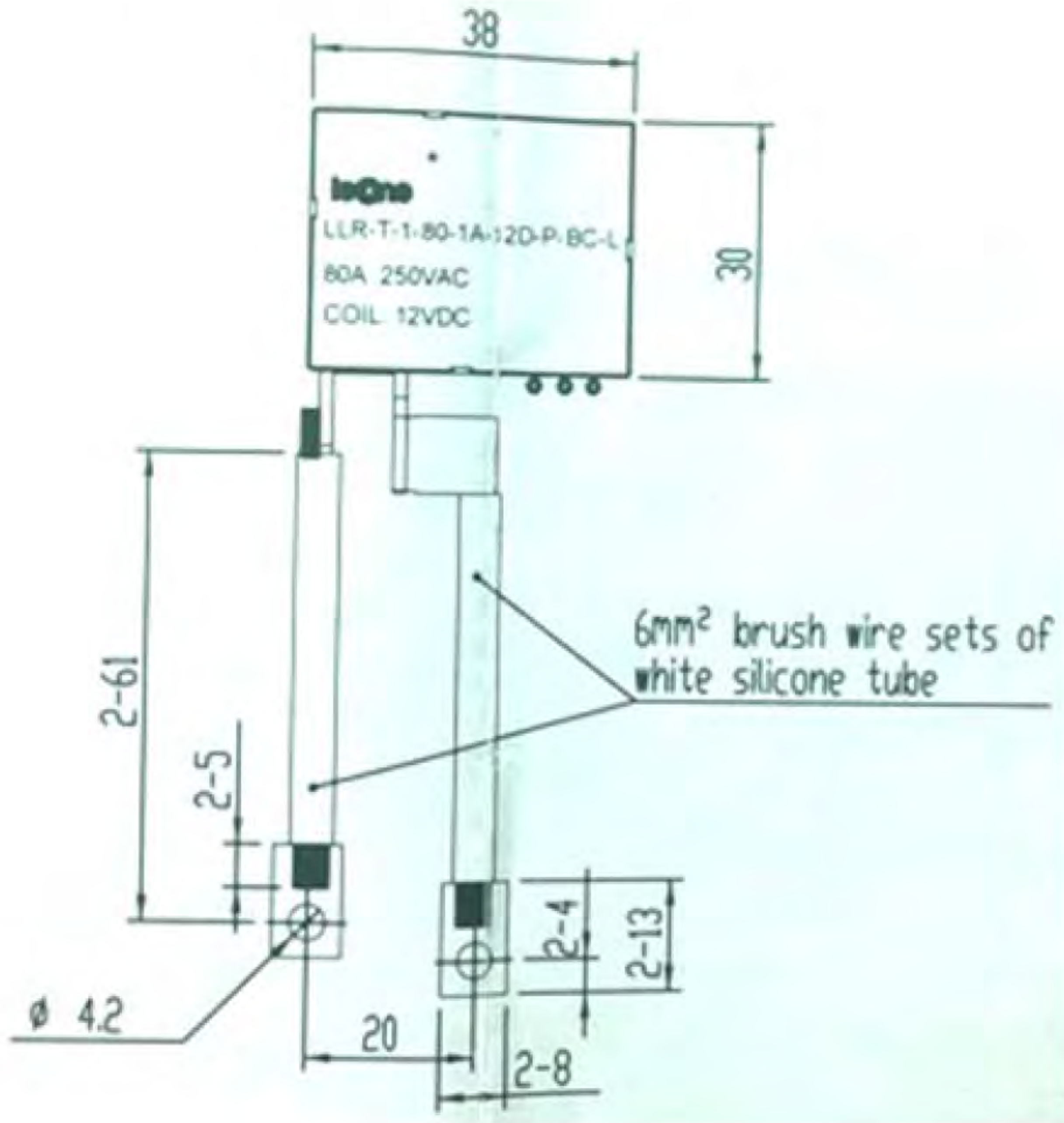
## 4) Coil Data

Coil power		Single coil: 1.5W Double coil: 3.0W	
(VDC) Rated Voltage	(VDC) Pick-up voltage	(ms) Pulse Duration	(Ω) Coil Resistance
Single coil			
9	6.75	50	54±10%
12	9	50	96±10%
24	18	50	384±10%
48	36	50	1536±10%
Double coil			
9	6.75	50	2x27±10%
12	9	50	2x48±10%
24	18	50	2x192±10%
48	36	50	2x768±10%

## 5) Typical Application

- Prepayment Energy Meter/Water Meters/Gas Meters, Electrical Telecommunication, Auto Controlling.

6) Dimensions(mm)/ Circuit Diagram



Double coil

