



LLR - P - 1 - 16 - 1C - 12D - P - N

Series Name:- LLR
 PCB Terminal Type:- P
 Single Phase:- 1
 Contact rating:- 16A
 Contact Form:- 1C
 Coil:- 12D:- 12VDC Double coil
 Coil Pins Polarity:- P:- Positive(Pin1+ve, Pin3-ve, Pin2+ve)
 Internal Code:- N

1) Characteristic

- Small size, 16A/2x5A switching capability.
- Low Contact resistance
- Low coil consumption, ultra-low temperature rise.
- Strong anti-shock and anti-vibration capability.
- Size: 29.0x12.6x22.8mm.

2) Specification

Insulation resistance		500MΩ (500VDC)	
Dielectric Strength	Between Coil & Contacts	2000VAC 1min	
	Between Open Contacts	1A/1B/1C 1000VAC	2A/2B/2C 750VAC
Operate Time		15msec. Max.	
Release Time		15msec. Max.	
Shock resistance	Functional	100m/S ² (10g)	
	Destructive	1000m/S ² (100g)	
Vibration resistance		10~55Hz 1.5mm	
Humidity		98%RH ,40°C	
Ambient temperature		-40~+70°C	
Termination		PCB	
Unit weight		13g	
Constrution		Sealed	

3) Contact Data

Contact form	1A/1B/1C	2A/2B/2C
Contact material	Ag Alloy	Ag Alloy
Contact resistance	Max.: 50 mΩ	Max.: 30 mΩ
Contact Rating	16A 250VAC	5A 250VAC
Max. Switching Power	4000VA	1200VA
Mechanical life	1×10 ⁶	1×10 ⁶
Electrical life	1×10 ⁴	1×10 ⁴

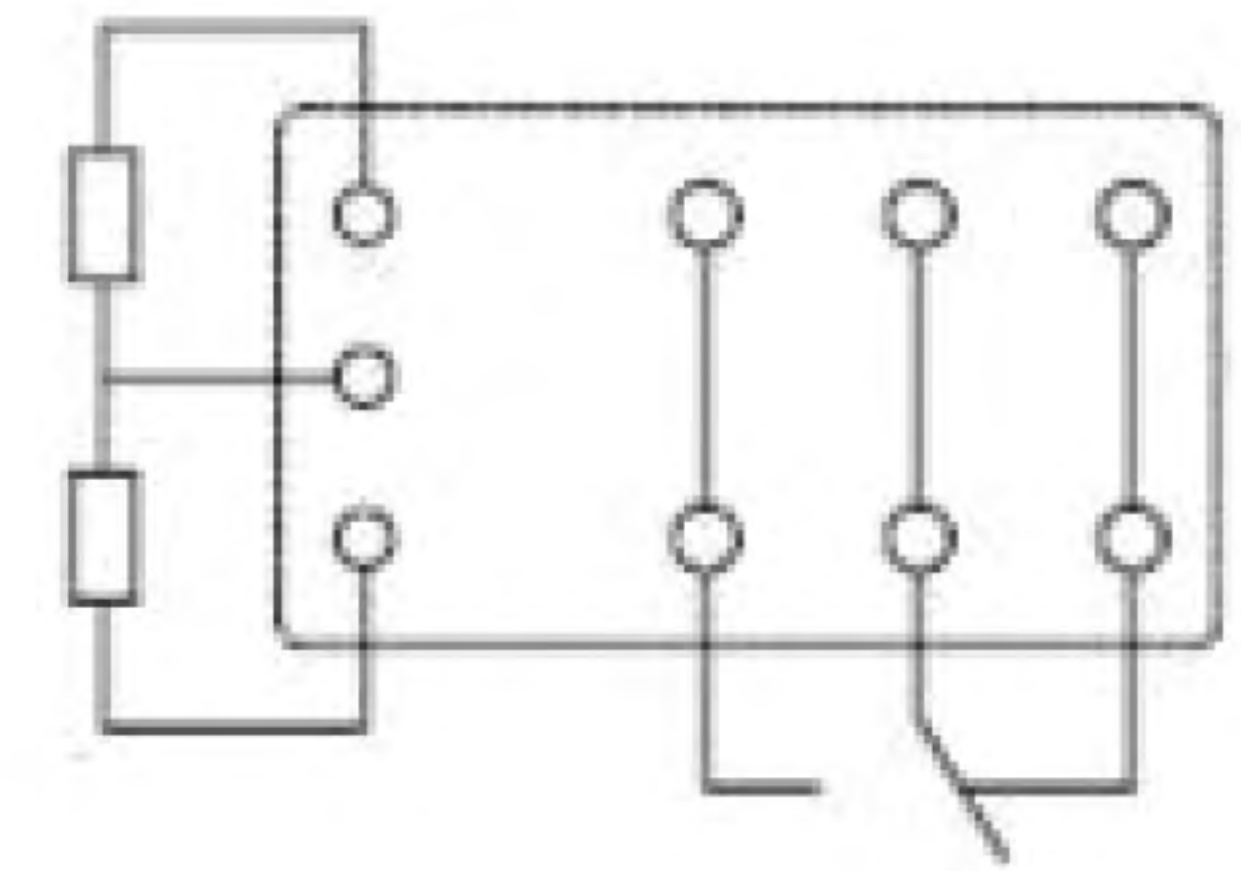
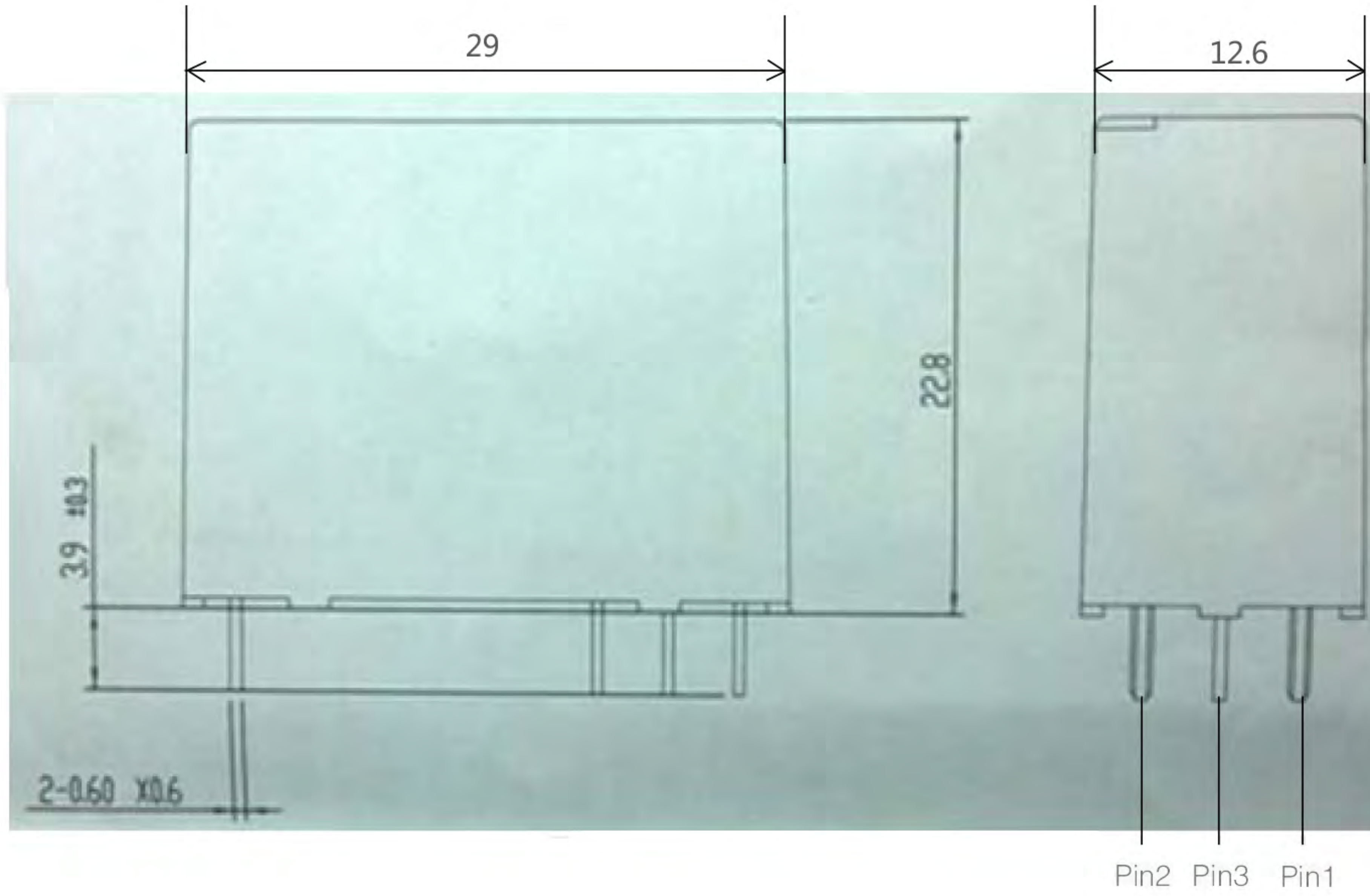
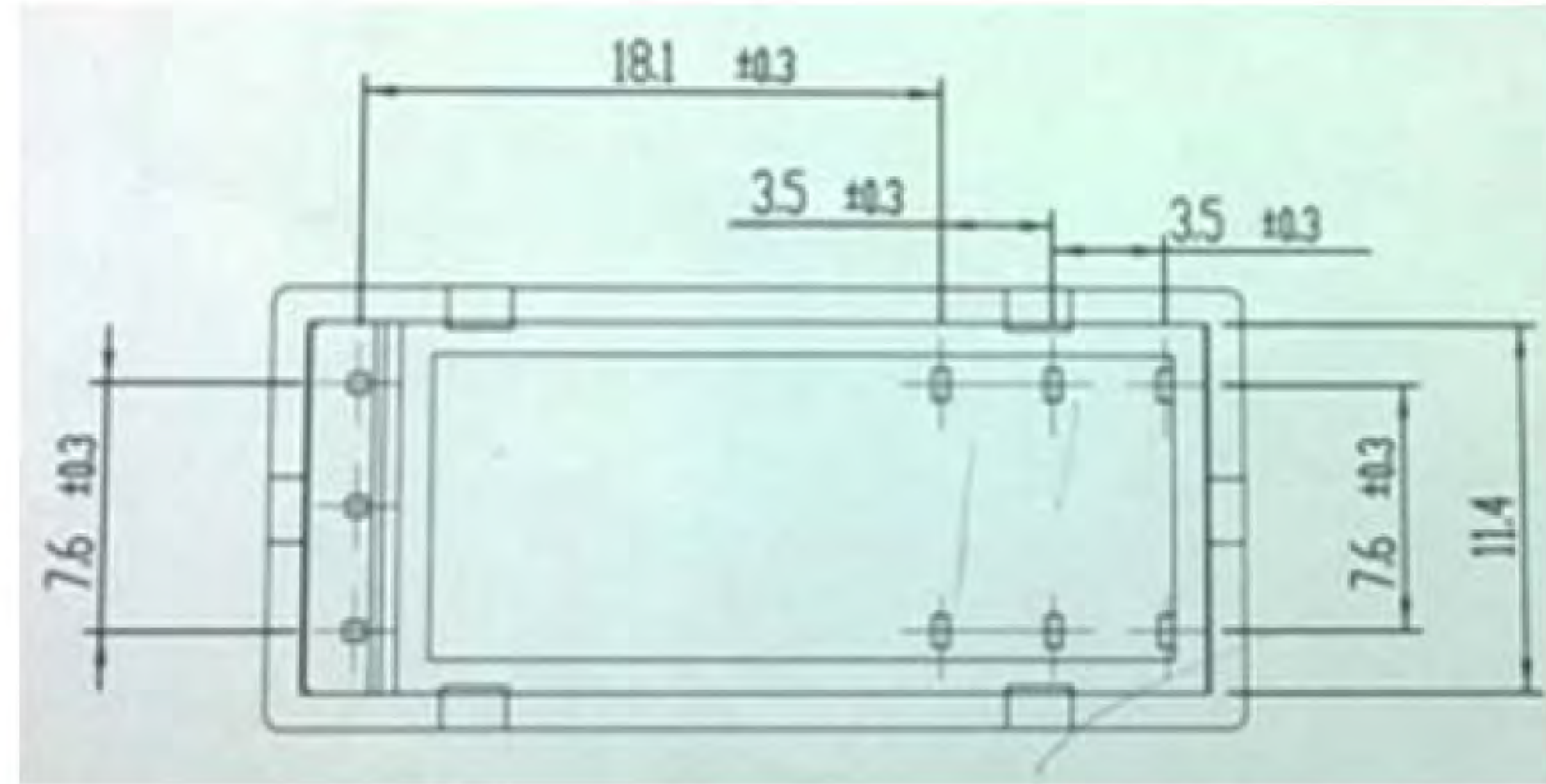
4) Coil Data

Coil power		Single coil: 1.0W Double coil: 2.0W	
(VDC) Rated Voltage	(VDC) Pick-up voltage	(ms) Pulse Duration	(Ω) Coil Resistance
Single coil			
9	6.75	50	81±10%
12	9	50	144±10%
24	18	50	576±10%
48	36	50	2304±10%
Double coil			
9	6.75	50	2x40.5±10%
12	9	50	2x72±10%
24	18	50	2x288±10%
48	36	50	2x1152±10%

5) Typical Application

- Prepayment Energy Meter; AMR System, Compound Switch, Automatic Control System.

6) Dimensions(mm)/ Circuit Diagram



Double coil

