

Latching Relay

LLR-T-3-100-1A-12D-P-J-P



LLR - T - 3 - 100 - 1A - 12D - P - J - P

Series Name:- LLR
 Contact Terminal Type:- T
 Phase:- 3
 Contact rating:- 100A
 Contact Form:- 1A
 Coil:- 12D:- 12VDC Double coil
 Coil Pins Polarity:- P:- Positive(Pin1+ve, Pin3-ve, Pin2+ve)
 Internal Code:- J
 Contact Terminal Shape:- P Parallel

1) Characteristic

- 3x100A switching capability.
- Low coil consumption, ultra-low temperature rise.
- Outline size: 120.0x29.3x54.0mm.
- Low contact resistance.
- Strong anti-shock and anti-vibration capability.

2) Specification

| | | |
|-----------------------|-------------------------|-----------------------------|
| Insulation resistance | | 1000MΩ (500VDC) |
| Dielectric Strength | Between Coil & Contacts | 5000VAC 1min |
| | Between Open Contacts | 2500VAC 1min |
| Operate Time | | 60msec. Max. |
| Release Time | | 60msec. Max. |
| Shock resistance | Functional | 100m/S ² (10g) |
| | Destructive | 1000m/S ² (100g) |
| Vibration resistance | | 10~55Hz 1.5mm |
| Humidity | | 98%RH ,40°C |
| Ambient temperature | | -40~+70°C |
| Termination | | Fast connection |
| Unit weight | | 380g |
| Construction | | Dust protected |

3) Contact Data

| | |
|----------------------|-------------------|
| Contact form | 3A/3B |
| Contact material | Ag Alloy |
| Contact resistance | Max.1.0 mΩ |
| Contact Rating | 3X100A 250VAC |
| Max. Switching Power | 25000VA |
| Mechanical life | 5×10 ⁵ |
| Electrical life | 5×10 ³ |

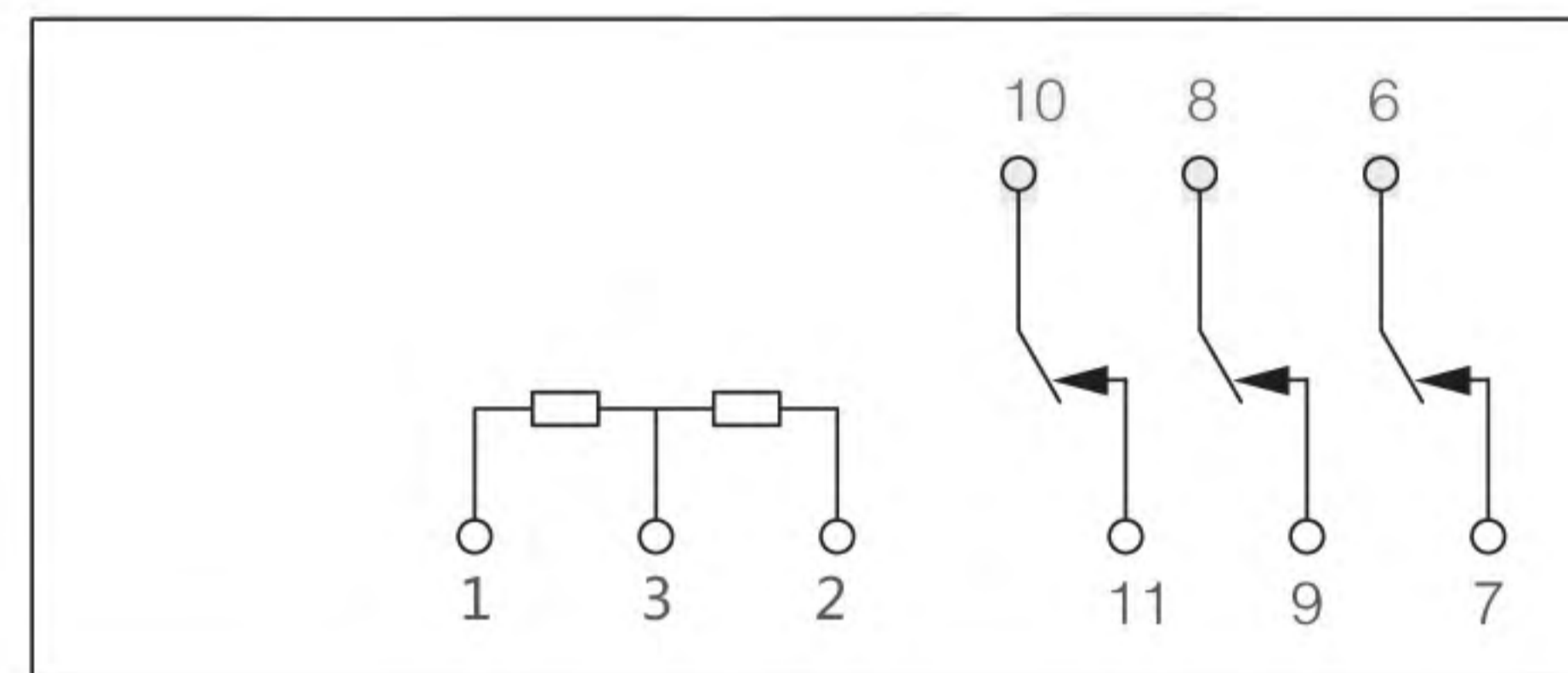
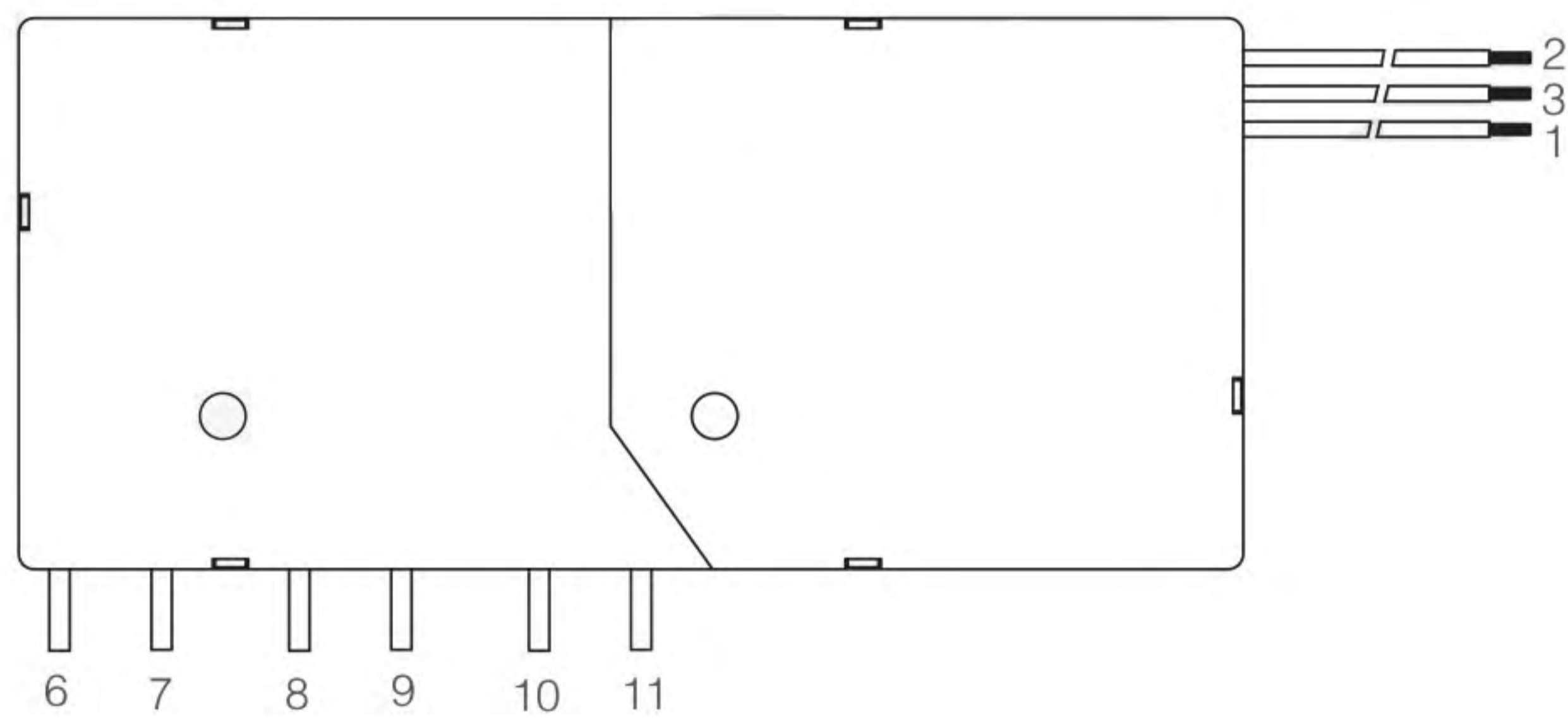
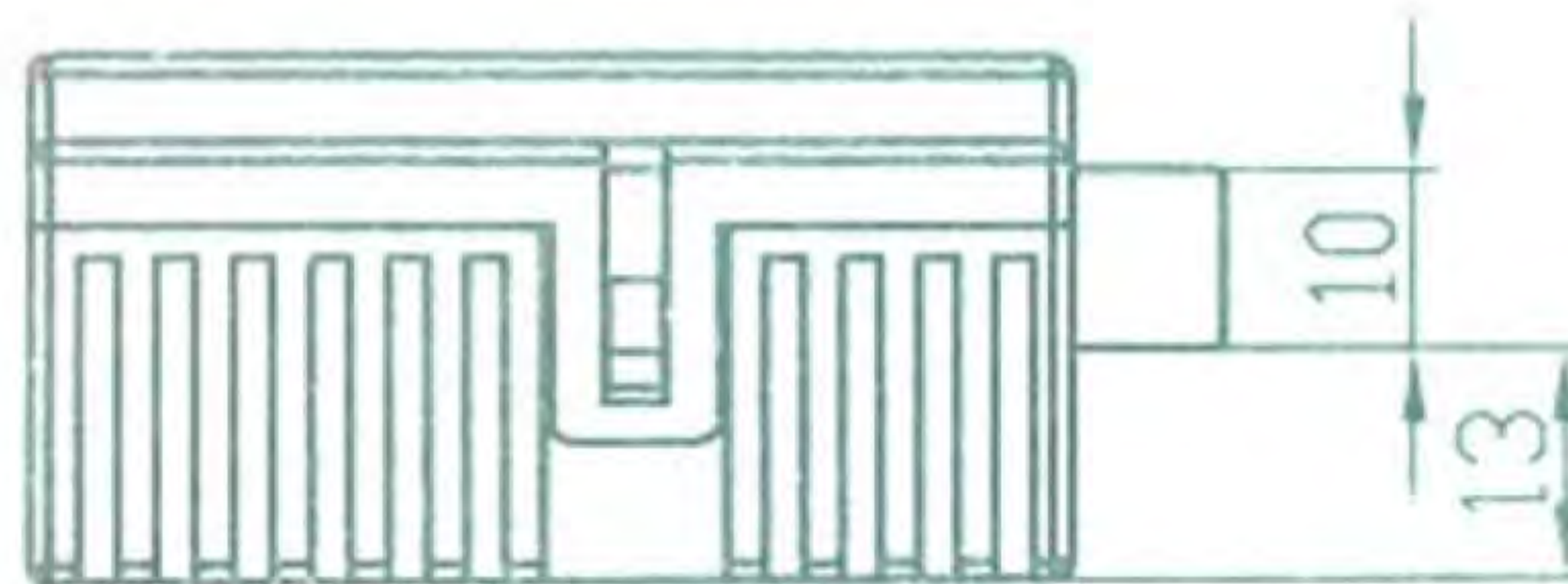
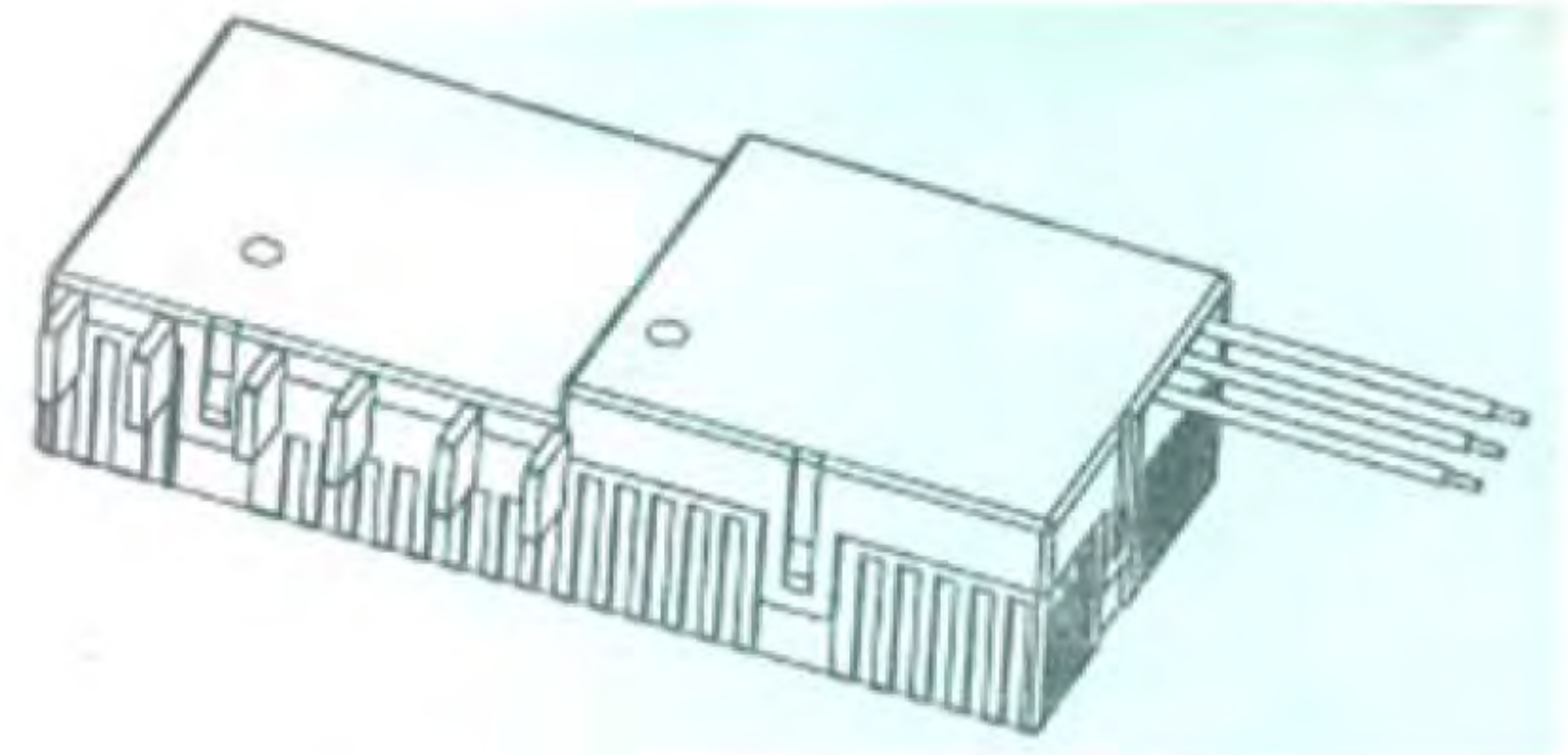
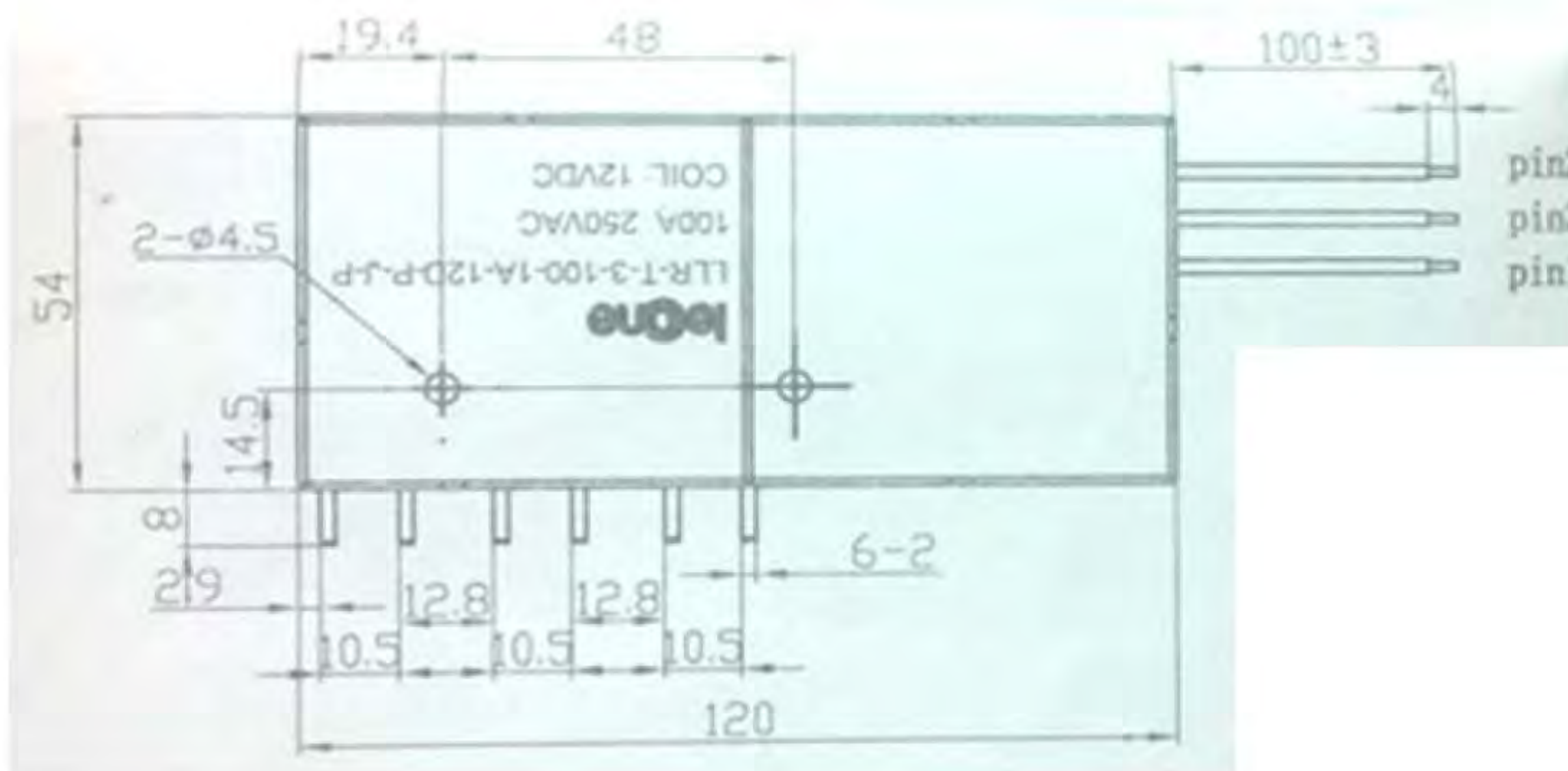
4) Coil Data

| Coil power | | Single coil: 2.5W Double coil: 5.0W | |
|------------------------|--------------------------|-------------------------------------|------------------------|
| (VDC) Rated Voltage | (VDC) Pick-up voltage | (ms) Pulse Duration | (Ω) Coil Resistance |
| Single coil | | | |
| 9 | 6.75 | 180 | 32.4±10% |
| 12 | 9 | 180 | 57.6±10% |
| 24 | 18 | 180 | 230.4±10% |
| 48 | 36 | 180 | 921.6±10% |
| Double coil | | | |
| 9 | 6.75 | 180 | 2x16.2±10% |
| 12 | 9 | 180 | 2x28.6±10% |
| 24 | 18 | 180 | 2x115.2±10% |
| 48 | 36 | 180 | 2x460.8±10% |

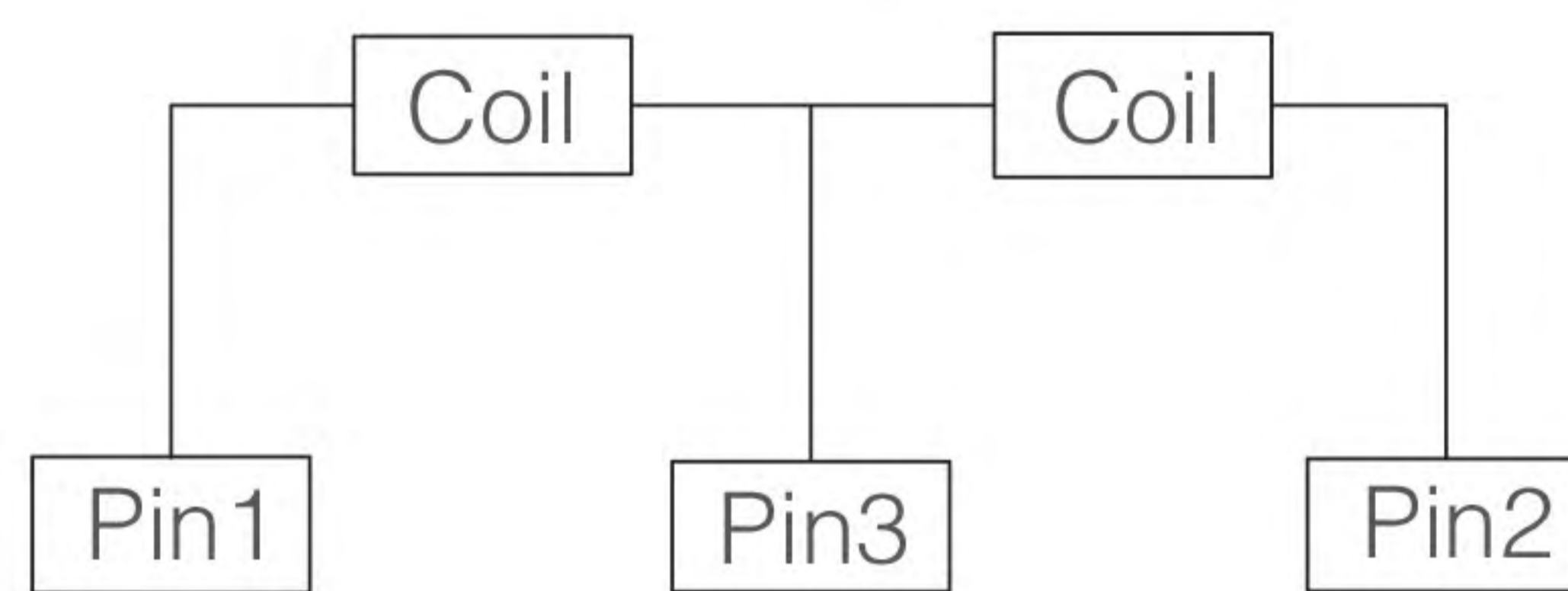
5) Typical Application

- Prepayment Energy Meter; AMR System, Compound Switch, Automatic Control System.

6) Dimensions(mm)/ Circuit Diagram



Double coil



+ve release -ve
-ve operate +ve