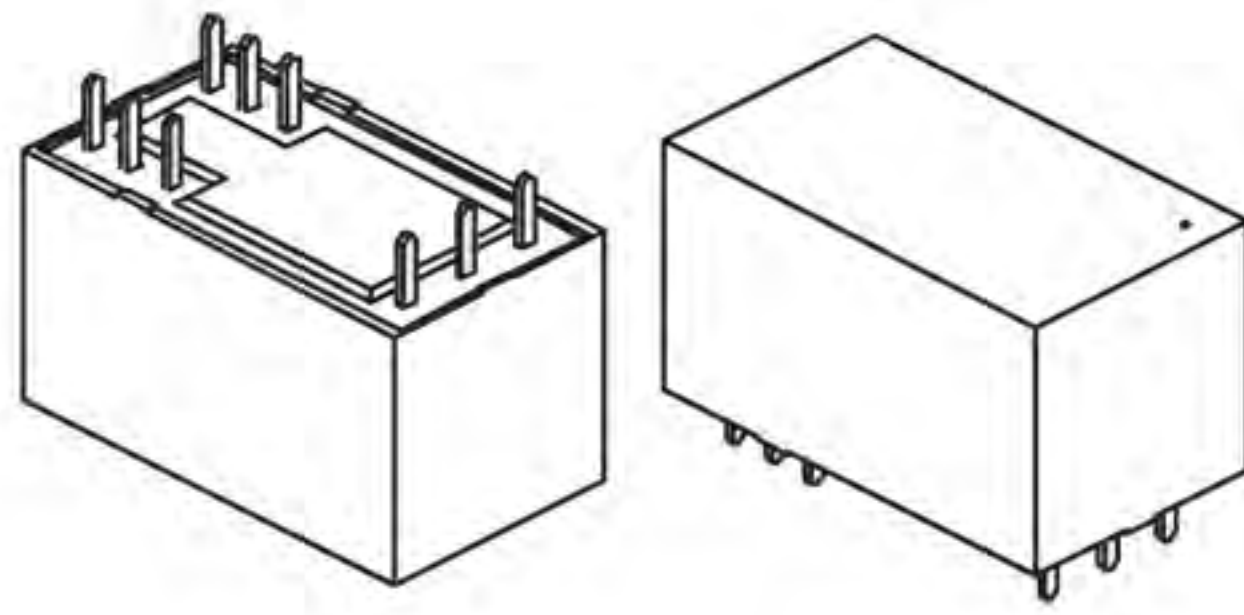


1B,1C-10A ; 2C-5A 250VAC/28 VDC PCB Latching Relay

LLR-P-1-10-1B-12D-P-E



LLR - P - 1 - 10 - 1B - 12D - P - E

Series Name:- LLR
 PCB Terminal Type:- P
 Single Phase:- 1
 Contact rating:- 10A:1B/1C; 5A:2C
 Contact Form:- 1A/ 1B/ 2C
 Coil:- S: Single coil; D:Double Coil 5V,6V,12V,24V (DC)
 Coil Pins Polarity:- P:- Positive(Pin1+ve, Pin3-ve, Pin2+ve)
 Internal Code:- E

1) Characteristic

- Small size, 5A/10A switching capability.
- PCB type insulation, Low power consumption
- 4KV dielectric strength between contact and coil
- Size: 25x13x17 mm.

2) Specification

Insulation resistance	500MΩ (500VDC)	
Dielectric Strength	Between Coil & Contacts	2000 VAC (50/60Hz, 1Min)
	Between Open Contacts	1500 VAC (50/60Hz, 1Min)
Operate Time	15msec. Max.	
Release Time	15msec. Max.	
Shock resistance	98m/S ²	
Vibration resistance	10~55Hz 1.5mm	
Humidity	5%-85% RH	
Ambient temperature	-40~+85°C	
Termination	PCB	
Unit weight	12g	
Construction	Sealed	

3) Contact Data

Contact form	1B /1C	2C
Contact material	AgSnO ₂	
Contact resistance	Max. 1mΩ (1A 6VDC)	
Contact Rating	10A 250V	5A 250V
Max. Switching Power	2500VA/280W	1250VA/140W
Mechanical life	1×10 ⁶	
Electrical life	1×10 ⁵	

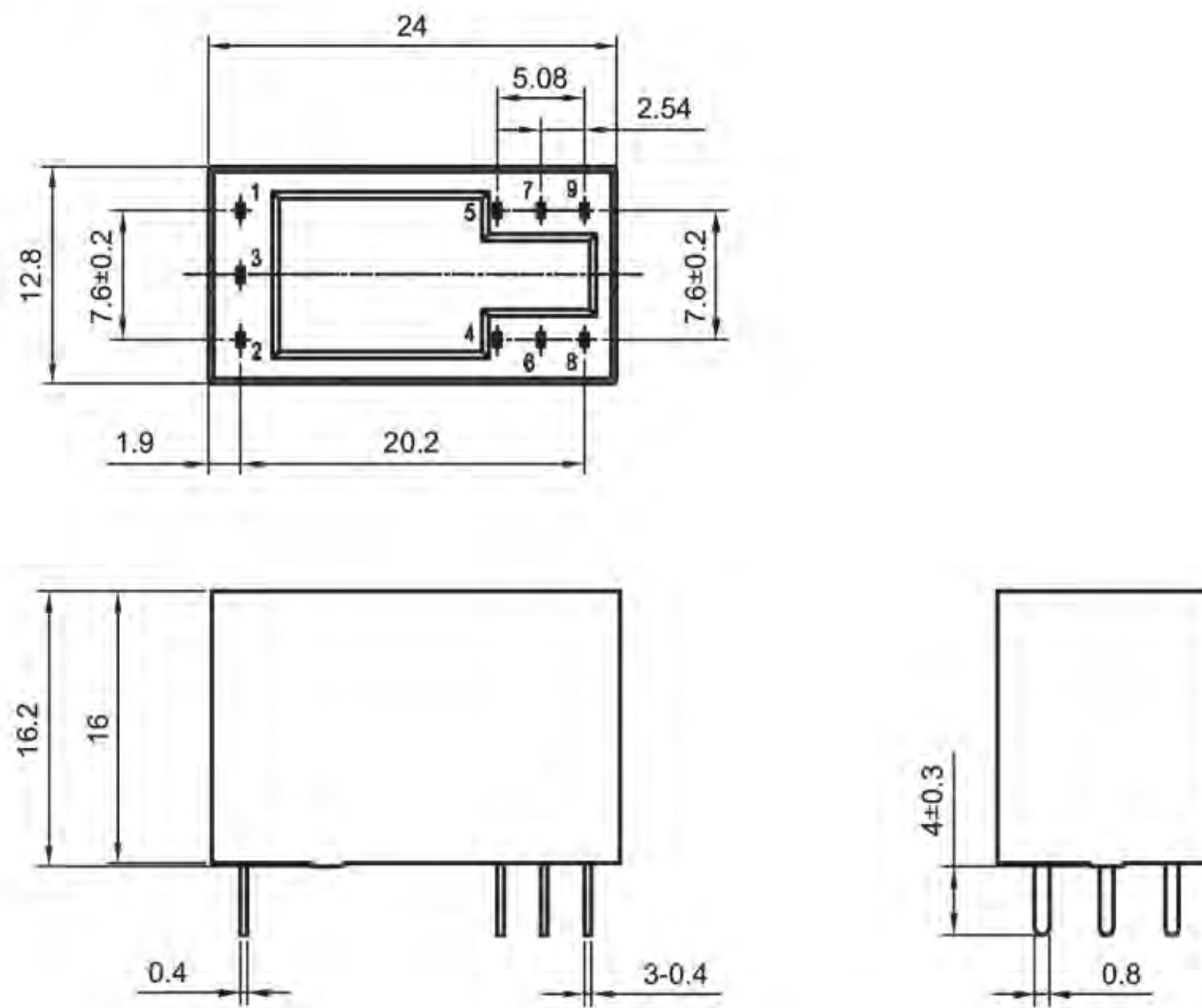
4) Coil Data

Coil power		Single coil: 0.64W Double coil: 1.28W	
(VDC) Rated Voltage	(VDC) Pick-up voltage	(ms) Pulse Duration	(Ω) Coil Resistance
Single coil			
5	≤3.5	≥50	39±10%
6	≤4.2	≥50	56±10%
12	≤8.4	≥50	225±10%
24	≤16.8	≥50	900±10%
Double coil			
5	≤3.5	≥50	2x19.5±10%
6	≤4.2	≥50	2x28.1±10%
12	≤8.4	≥50	2x112.5±10%
24	≤16.8	≥50	2x450±10%

5) Typical Application

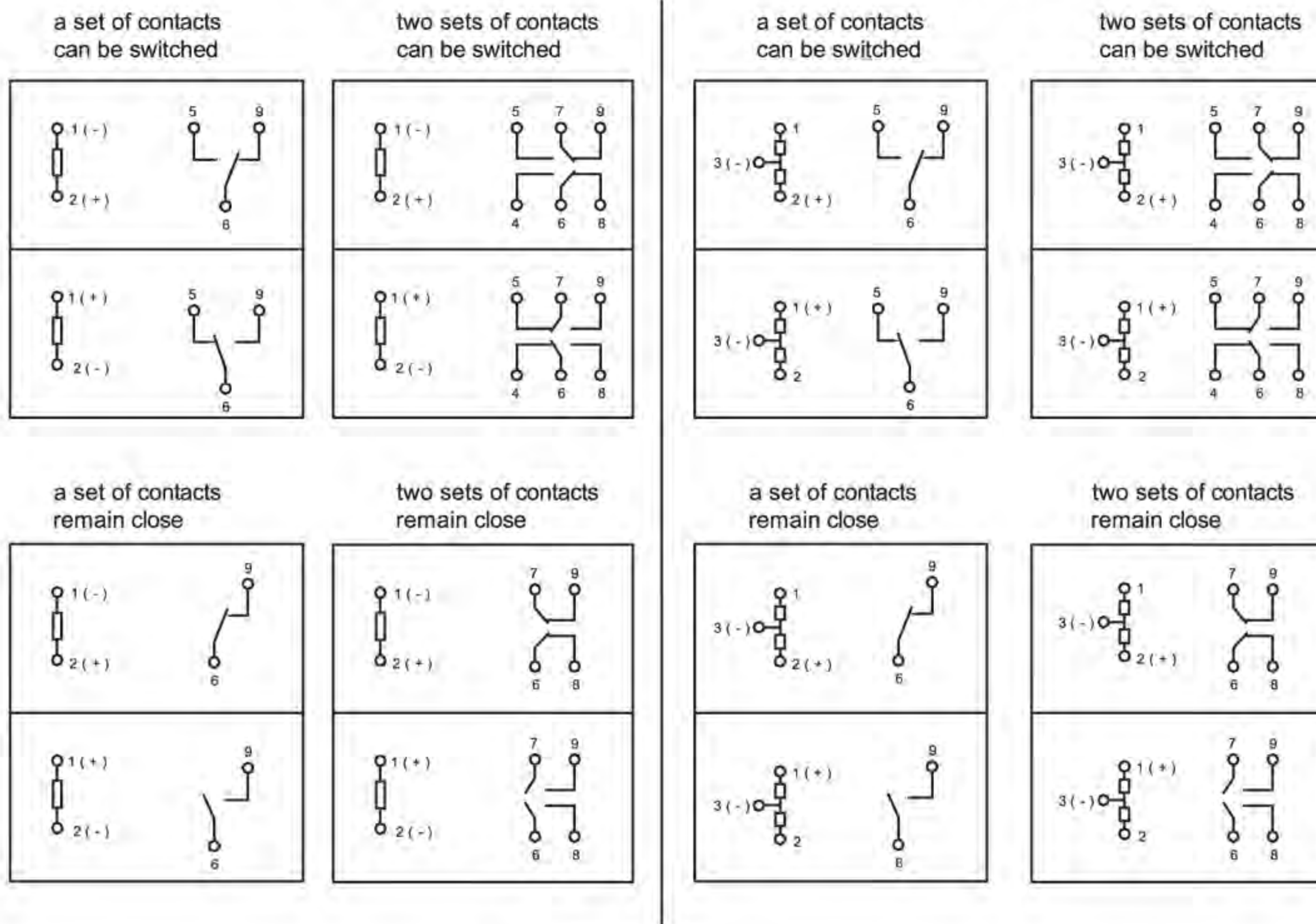
- Prepayment Energy Meter; AMR System, Compound Switch, Automatic control system, Smart Home, IOT etc

6) Dimensions(mm)/ Circuit Diagram



single coil

Double coil



mounting hole

