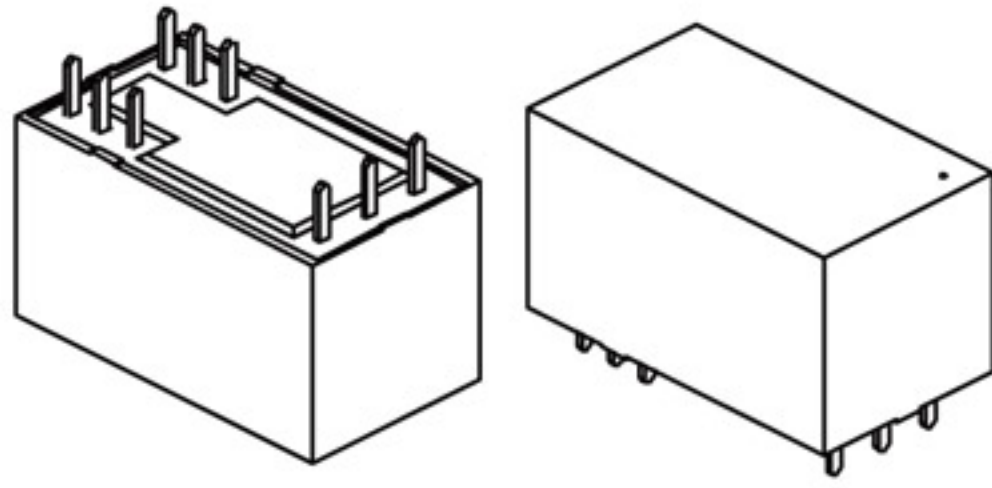

Latching Relay

LLR-P5-2C6D-P
LLR-P10-1A12D-P

PCB Latching Relay
1A,1C - 10A; 2C-5A 250VAC/28VDC



LLR - P5 - 2C6D - P

Series Name:- LLR
 PCB Terminal Type:- P
 Contact rating:- 10A:1A/1C; 5A:2C
 Contact Form:- 1A/ 1C/ 2C
 Coil:- S: Single coil; D:Double Coil 5V,6V,12V,24V (DC)
 Coil Pins Polarity:- P:- Positive(Pin1+ve, Pin3-ve, Pin2+ve)

1) Characteristic

- Small size, 5A/10A switching capability.
- PCB type insulation, Low power consumption
- 4KV dielectric strength between contact and coil
- Size: 25x13x17 mm.

2) Specification

Insulation resistance		500MΩ (500VDC)	
Dielectric Strength	Between Coil & Contacts	1B: 4000 VAC (50/60Hz, 1Min)	1C: 2000 VAC (50/60Hz, 1 Min)
	Between Open Contacts	750 VAC (50/60Hz, 1 Min)	
Operate Time		15msec. Max.	
Release Time		15msec. Max.	
Shock resistance		98m/S ²	
Vibration resistance		10~55Hz 1.5mm	
Humidity		5%-85% RH	
Ambient temperature		-40~+85°C	
Termination		PCB	
Unit weight		12g	
Constrution		Sealed	

3) Contact Data

Contact form	1A /1C	2C
Contact material	AgSnO ₂	
Contact resistance	Max. 1mΩ (1A 6VDC)	
Contact Rating	10A 250V	5A 250V
Max. Switching Power	2500VA/280W	1250VA/140W
Mechanical life	1×10 ⁶	
Electrical life	1×10 ⁵	

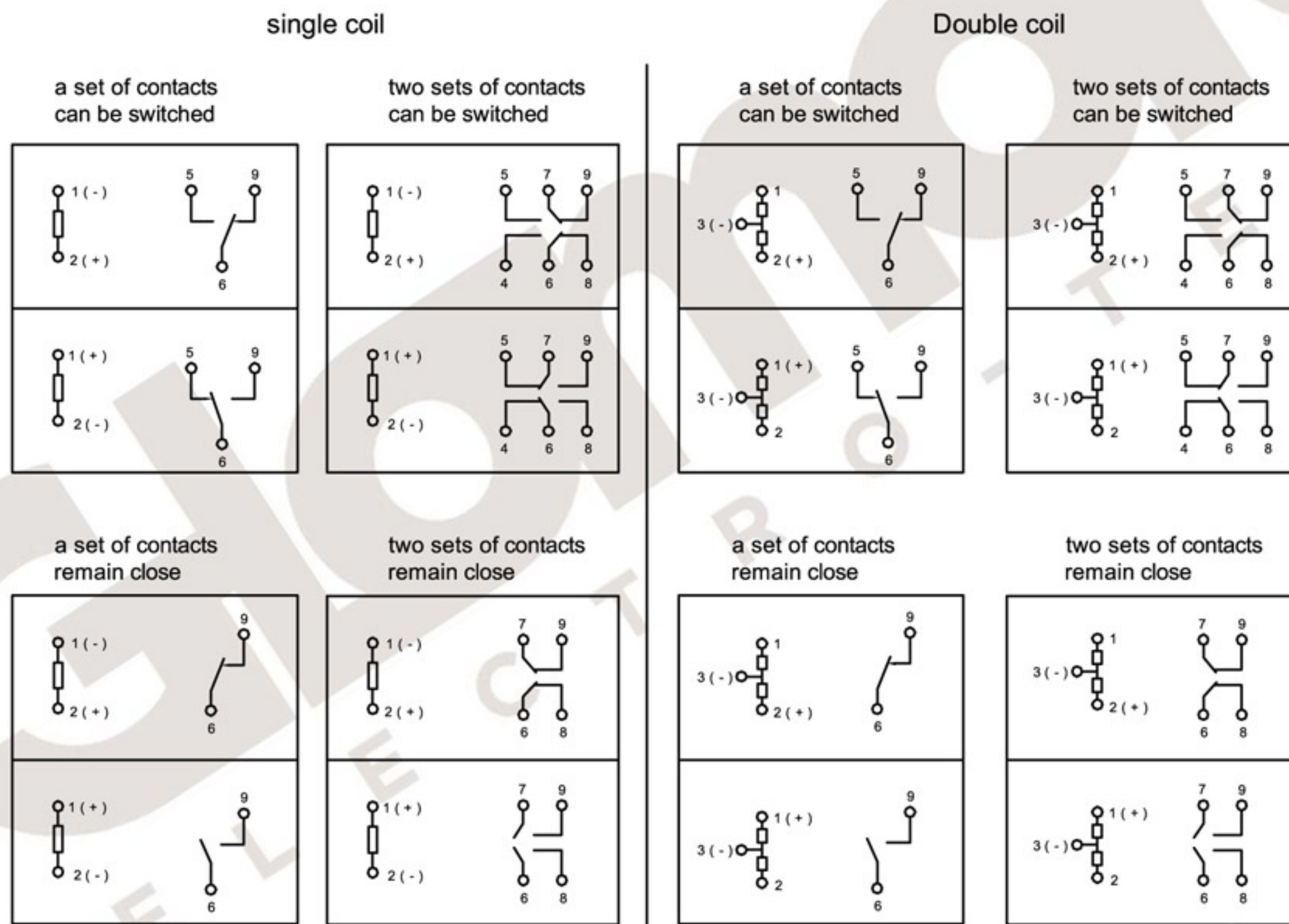
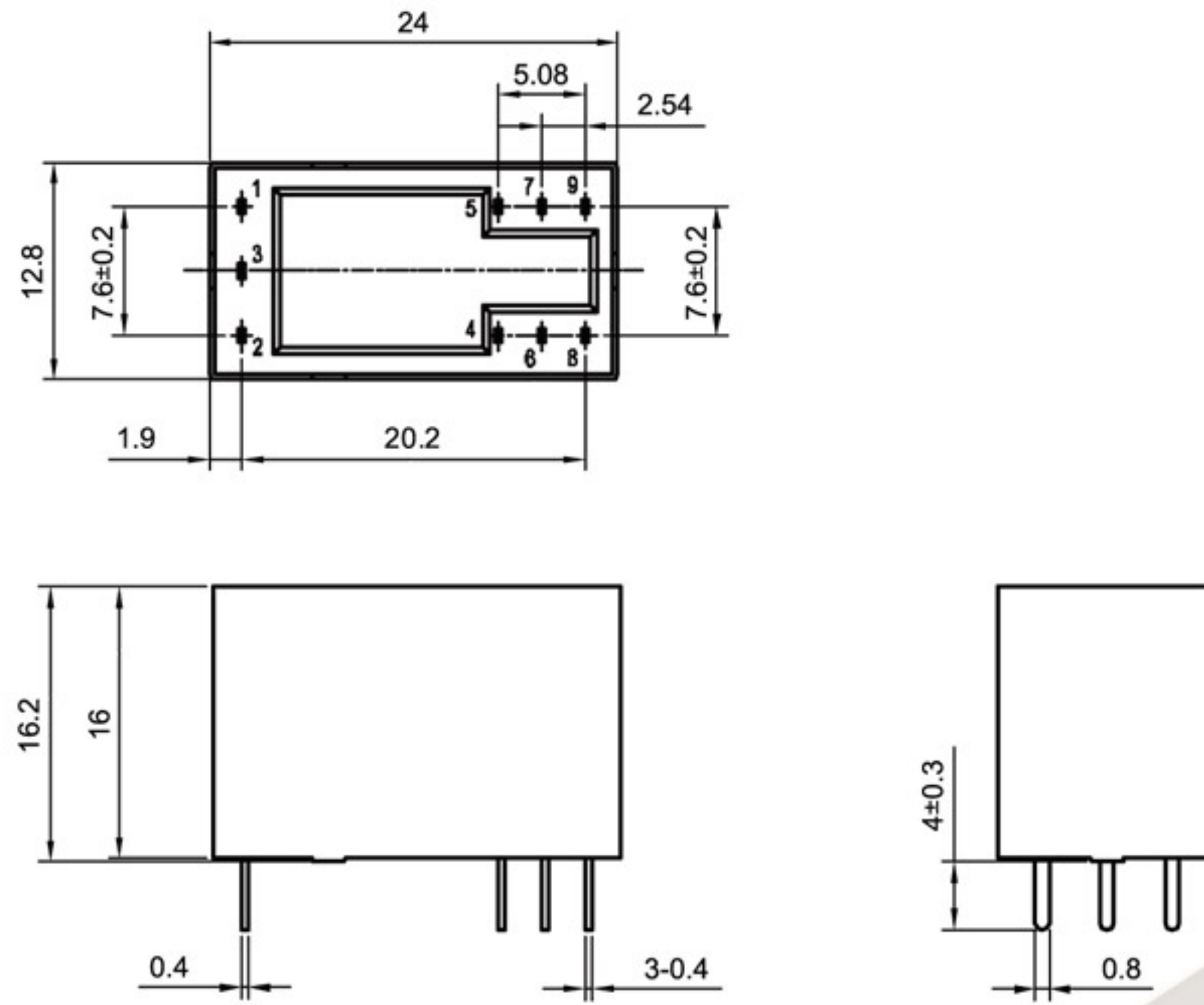
4) Coil Data

Coil power		Single coil: 0.64W Double coil: 1.28W	
(VDC) Rated Voltage	(VDC) Pick-up voltage	(ms) Pulse Duration	(Ω) Coil Resistance
Single coil			
5	≤3.5	≥50	39±10%
6	≤4.2	≥50	56±10%
12	≤8.4	≥50	225±10%
24	≤16.8	≥50	900±10%
Double coil			
5	≤3.5	≥50	2x19.5±10%
6	≤4.2	≥50	2x28.1±10%
12	≤8.4	≥50	2x112.5±10%
24	≤16.8	≥50	2x450±10%

5) Typical Application

- Prepayment Energy Meter, AMR System, Compound Switch, Automatic control system, Smart Home, IOT etc

6) Dimensions(mm)/ Circuit Diagram



mounting hole

