



Socket & Accessories

■ DIN-RAIL SOCKET ORDERING INFORMATION

◆ PYF / PTF PPF DIN-Rail Socket Ordering Information

P Y F - 11 A E

Safeguard:	Nil: Without Finger Protection E: With Finger Protection
Area Specification:	A: Asia Specification B: Europe Specification
Effective Holes:	08: 8 Holes 11: 11 Holes 14: 14 Holes
Install Type:	F: DIN-Rail Install
Suit Relay Model:	Y: RE Model T: RET Model P: RK, RPT Model
Item:	P: Socket

◆ PYF / PTF PPF DIN-Rail Socket List

No	Socket Name	Suit Relay Model	Note	Image
1	PYF-08A	RE-2P		Page 173
2	PYF-08AE	RE-2P		Page 173
3	PYF-08BE	RE-2P		Page 173
4	PYF-08BE/3	RE-2P	/3: Conform to VDE0160	Page 173
5	PYF-14A	RE-4P		Page 174
6	PYF-14AE	RE-4P		Page 174
7	PYF-14BE	RE-4P		Page 174
8	PYF-14BE/3	RE-4P	/3: Conform to VDE0160	Page 174
9	PTF-08A	RET-1P, RET-2P		Page 175
10	PTF-08AE	RET-1P, RET-2P		Page 175
11	PTF-14A	RET-4P		Page 175
12	PTF-14AE	RET-4P		Page 175
13	PPF-11A	RP, RPT		Page 178
14	PPF-11AE	RP, RPT		Page 178

◆ PLF DIN-Rail Socket Ordering Information

P L F - X 03 A

Coil Type:	Nil: DC Only A: AC/DC Compatible
Coil Voltage:	03: 3V, 04: 4.5V, 05: 5V, 06: 6V, 09: 9V, 12: 12V, 15: 15V, 18: 18V, 24: 24V, 48: 48V, 60: 60V
Internal Connections:	X: Diode + LED, Positive Pole "+" on A1 Terminal V: Diode + LED, Negative Pole "-" on A1 Terminal
Install Type:	F: DIN-Rail Install with Screw Type Terminals S: DIN-Rail Install with Screwless Type Terminals
Suit Relay Model:	L: LR Model
Item:	P: Socket

◆ PLF DIN-Rail Socket & Accessories List

No	Socket Name	Suit Relay Model	Note	Image
1	PLF-X□□	LR	□□ for Coil Operation Voltage	Page 176
2	PLF-V□□	LR	□□ for Coil Operation Voltage	Page 176
3	PLS-X□□	LR	□□ for Coil Operation Voltage	Page 176
4	PLS-V□□	LR	□□ for Coil Operation Voltage	Page 176
5	JUMPER	LR SOCKET (PLF, PLS)	20 PINS	Page 176

◆ PF DIN-Rail Socket Ordering Information

P F - 083 A E

Safeguard:	Nil: Without Finger Protection E: With Finger Protection
Area Specification:	A: Asia Specification B: Europe Specification
Suit Relay Model:	083: RK-2P Model 113: RK-3P Model
Install Type:	F: DIN-Rail Install
Item:	P: Socket

◆ PF DIN-Rail Socket List

No	Socket Name	Suit Relay Model	Note	Image
1	PF-083A	RK-2P		Page 177
2	PF-083AE	RK-2P		Page 177
3	PF-083BE	RK-2P		Page 177
4	PF-113A	RK-3P		Page 177
5	PF-113AE	RK-3P		Page 178
6	PF-113BE	RK-3P		Page 178
7	PF-113BE/3	RK-3P	/3: Conform to VDE0160	Page 178

◆ PI DIN-Rail Socket Ordering Information

P	I	-35	B	E	/3	Insulation high:	Nil: Standard high
							/3: Conform to VDE0160
						Safeguard:	Nil: Without Finger Protection
							E: With Finger Protection
						Area Specification:	A: Asia Specification
							B: Europe Specification
						Suit Dimension:	-35: 3.5mm
							-50: 5.0mm
						Suit Relay Model:	I: EMI, EZ Model
						Item:	P: Socket

◆ PI DIN-Rail Socket List

No	Socket Name	Suit Relay Model	Note	Image
1	PI-35BE	EMI-1P, MI-1P		Page 179
2	PI-35BE/3	EMI-1P, MI-1P	/3: Conform to VDE0160	Page 179
3	PI-50BE	EMI-2P, MI-2P, EZ, EZI		Page 179
4	PI-50BE/3	EMI-2P, MI-2P, EZ, EZI	/3: Conform to VDE0160	Page 179

■ SIMPLE SOCKET ORDERING INFORMATION:

P	I	-35	-0	Suit State:	Nil: for Socket Terminal Socket
					0: for PCB Terminal Socket
				Effective Holes and Suit Dimension:	05: 5 Holes
					08: 8 Holes
					11: 11 Holes
					14: 14 Holes
					35: 3.5mm
					50: 5.0mm
				Suit Relay Model:	Y: RE Model
					T: RET Model
					I: EMI, EZ Model
					L: LR Model
				Item:	P: Socket

◆ Simple Socket List

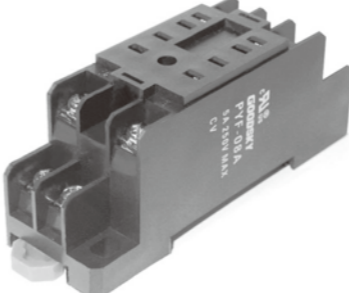
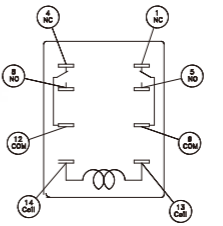
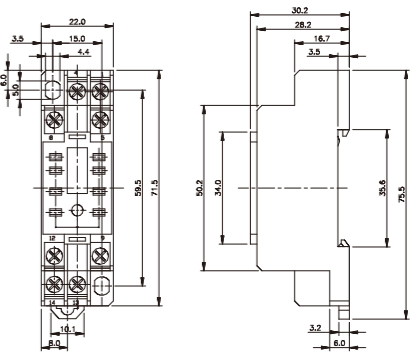
No	Socket Name	Suit Relay Model	Note	Image
1	PY-08	RE-2P	Socket Terminal	Page 180
2	PY-08-0	RE-2P	PCB Terminal	Page 180
3	PY-14	RE-4P	Socket Terminal	Page 180
4	PY-14-0	RE-4P	PCB Terminal	Page 180
5	PT-08	RET-1P, RET-2P	Socket Terminal	Page 181
6	PT-08-0	RET-1P, RET-2P	PCB Terminal	Page 181
7	PI-35-0	EMI-1P, MI-1P	PCB Terminal	Page 181
8	PI-50-0	EMI-2P, MI-2P, EZ, EZI	PCB Terminal	Page 181
9	PL-05-0	LR	PCB Terminal	Page 176

◆ Other Type Socket List

No	Socket Name	Suit Relay Model	Note	Image
1	UC3003	GRL	With Wire Terminals, Side Interlock Type	Page 182
2	CS3770	GRL	With Wire Terminals, Independent Type	Page 182
3	UC3001	GRL	PCB Terminal	Page 182

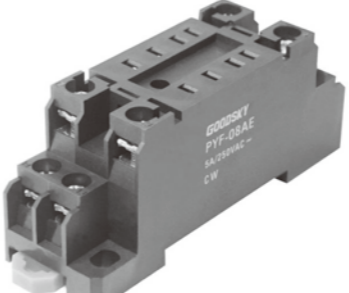
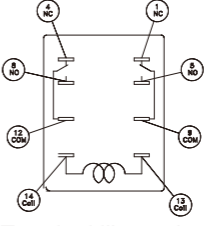
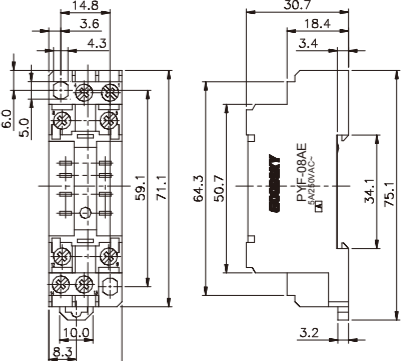
SOCKET ILLUSTRATION

PYF-08A


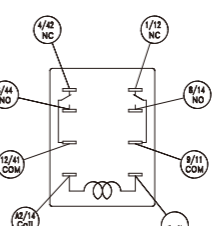
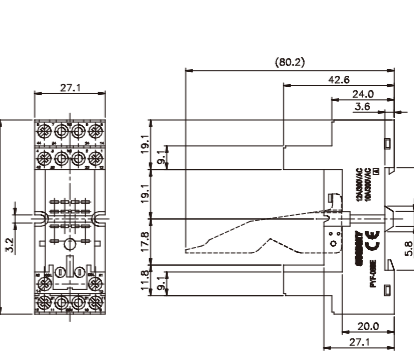
BS-36-M Equipment

PYF-08AE


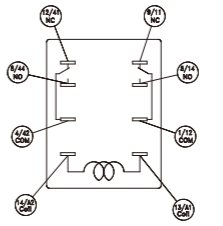
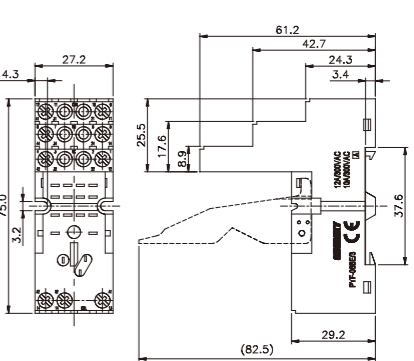
BS-36-M Equipment

PYF-08BE

BS-29/36-P Equipment LM LE-1

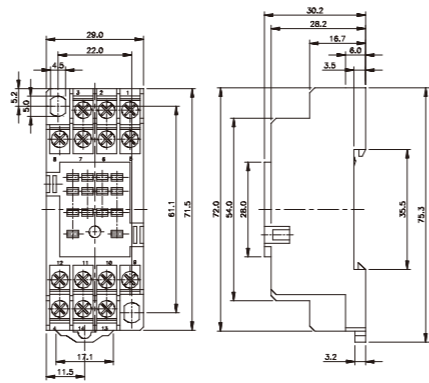
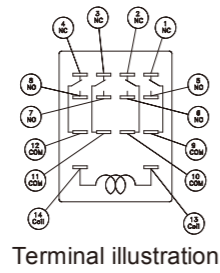
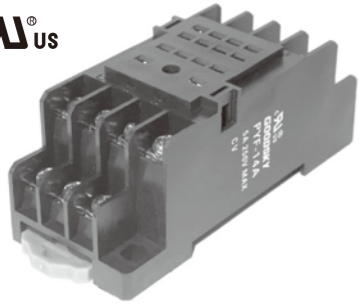
PYF-08BE/3

BS-29/36-P Equipment LM LE-1

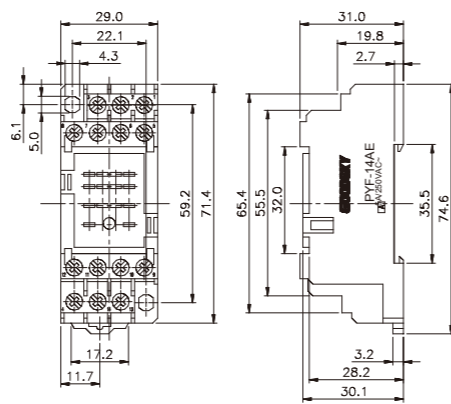
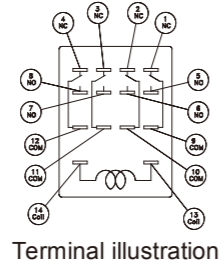
SOCKET ILLUSTRATION

PYF-14A



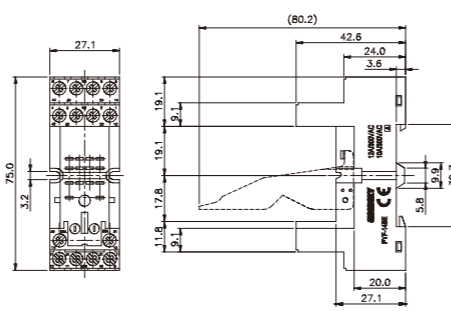
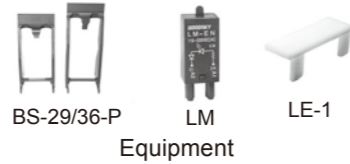
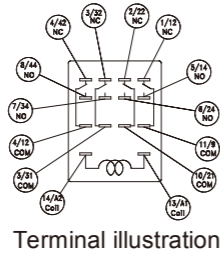
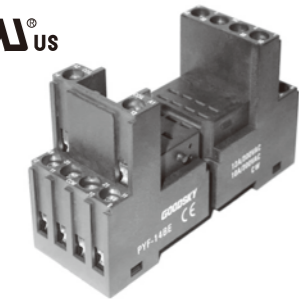
Appearance illustration

PYF-14AE



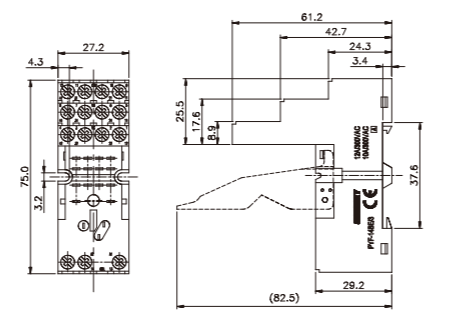
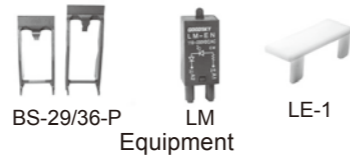
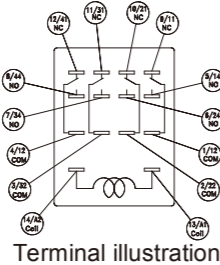
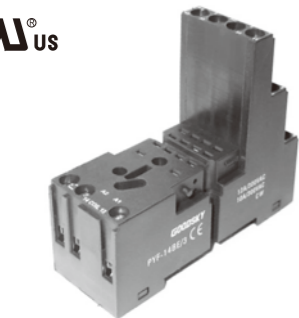
Appearance illustration

PYF-14BE



Appearance illustration

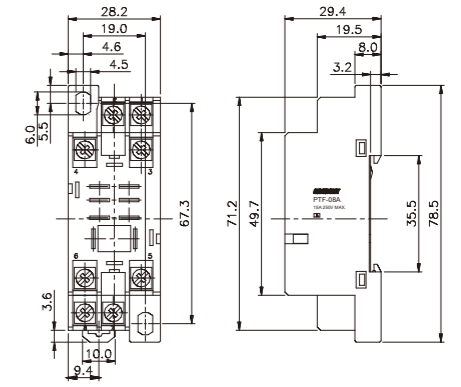
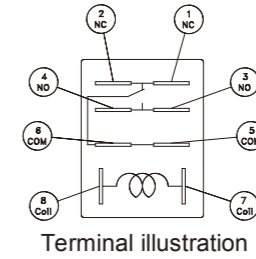
PYF-14BE/3



Appearance illustration

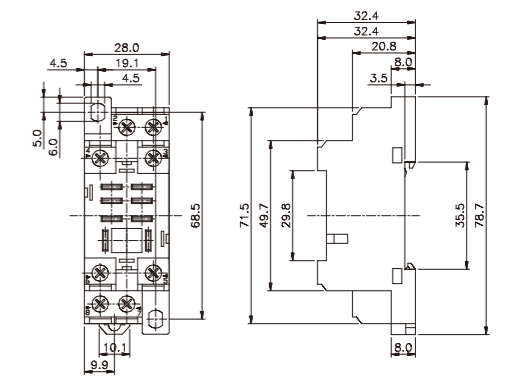
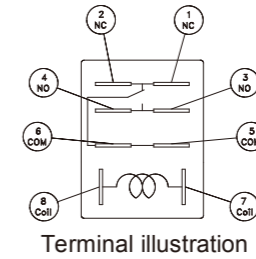
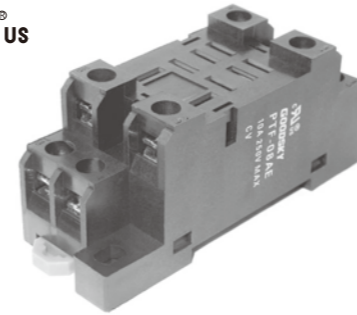
SOCKET ILLUSTRATION

PTF-08A



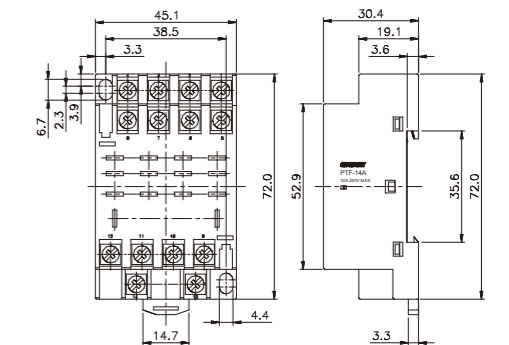
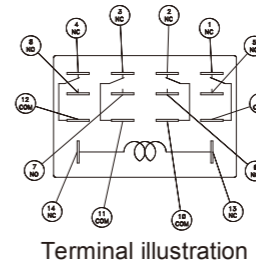
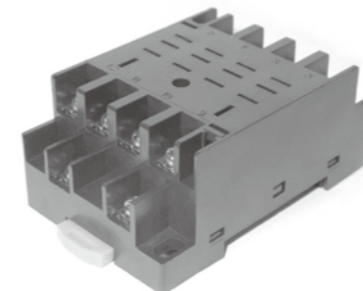
Appearance illustration

PTF-08AE



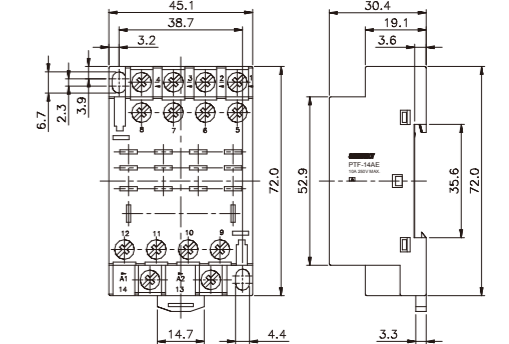
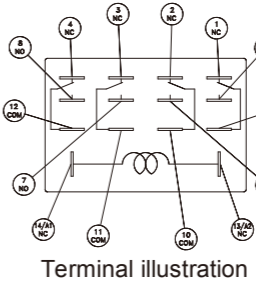
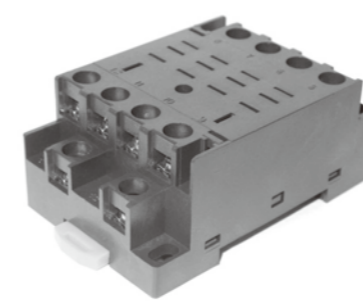
Appearance illustration

PTF-14A



Appearance illustration

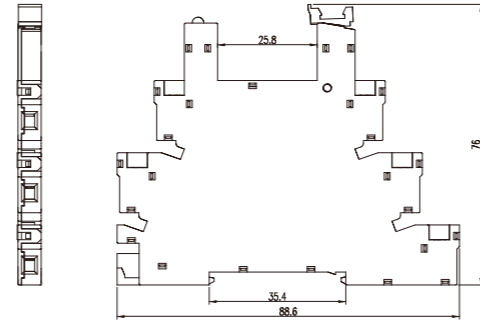
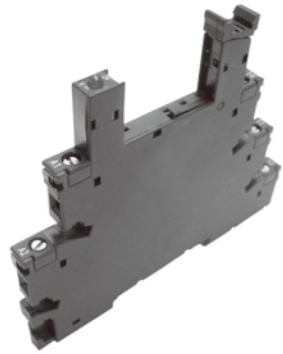
PTF-14AE



Appearance illustration

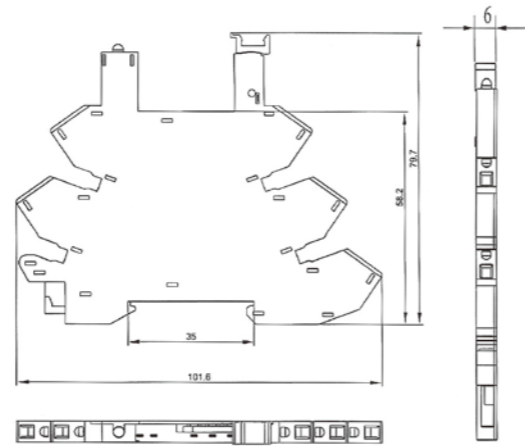
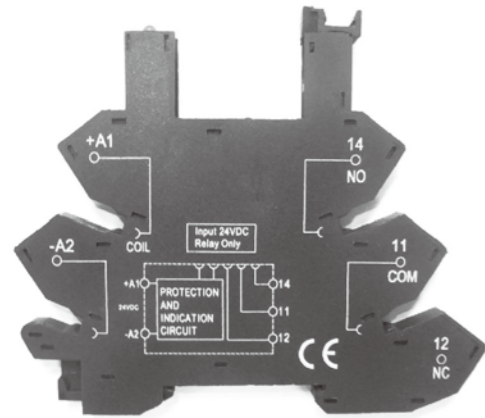
SOCKET ILLUSTRATION

PLF

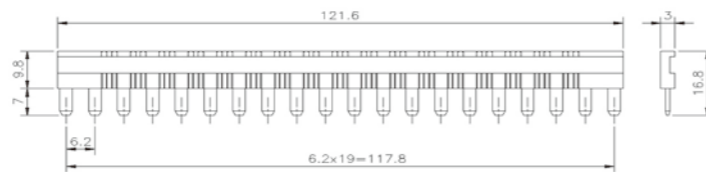
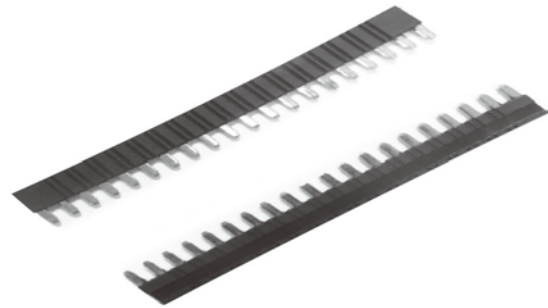


Appearance illustration

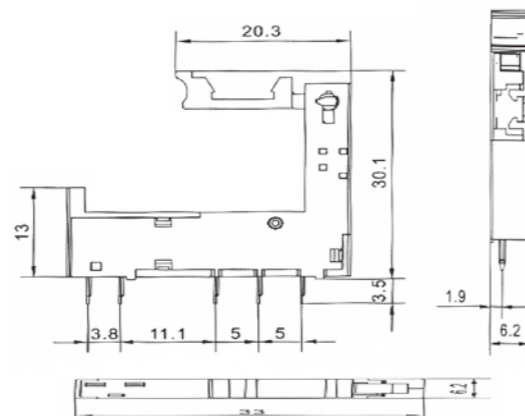
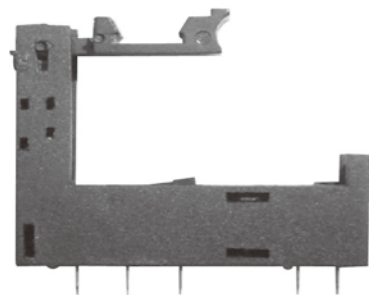
PLS



JPR

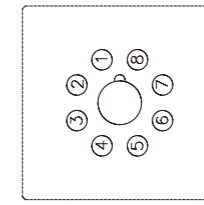
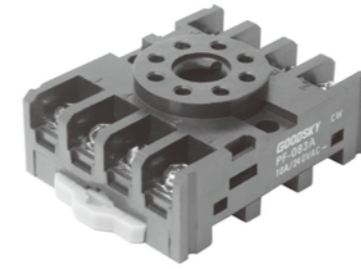


PL-05-0



SOCKET ILLUSTRATION

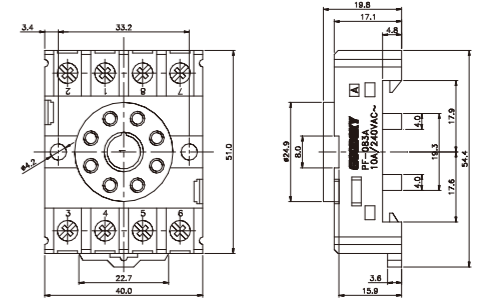
PF-083A



Terminal illustration

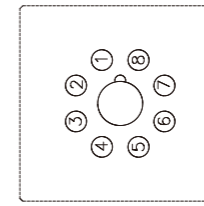
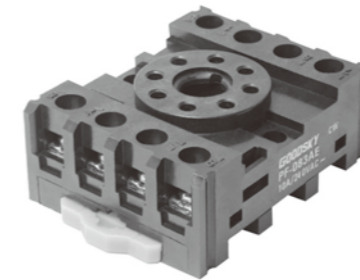


BS-50-M
Equipment



Appearance illustration

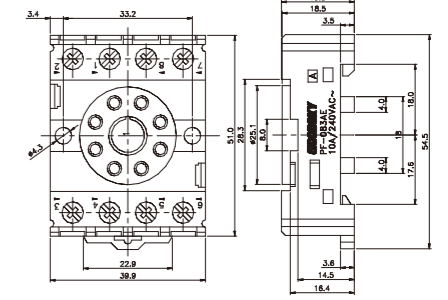
PF-083AE



Terminal illustration

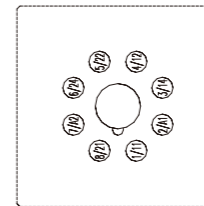
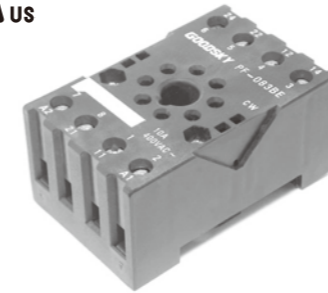


BS-50-M
Equipment



Appearance illustration

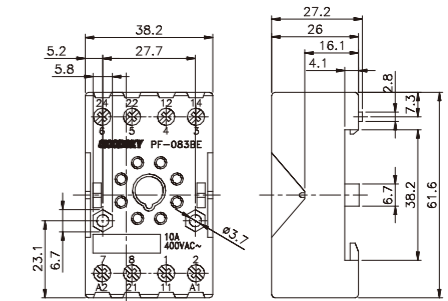
PF-083BE



Terminal illustration

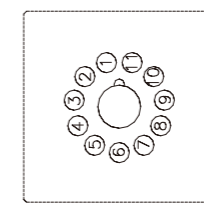
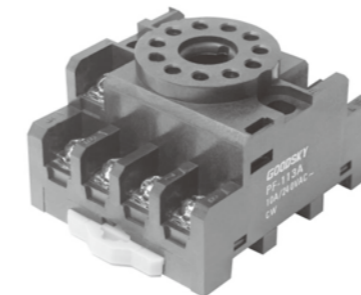


BS-50-MS
Equipment



Appearance illustration

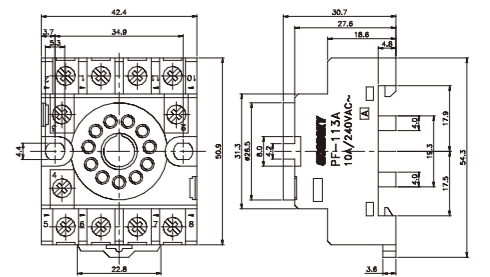
PF-113A



Terminal illustration

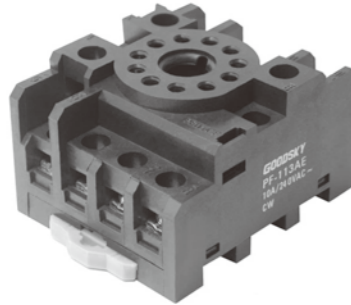
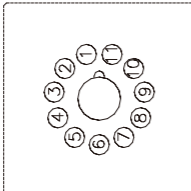

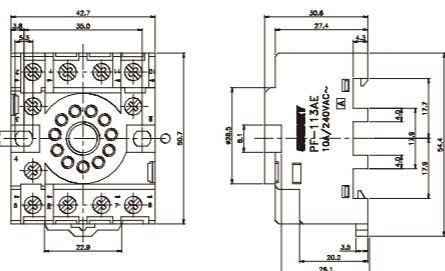

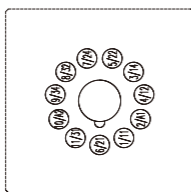

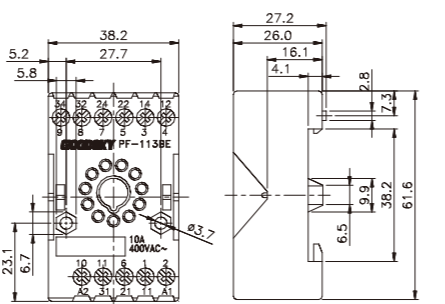

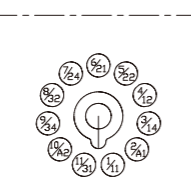

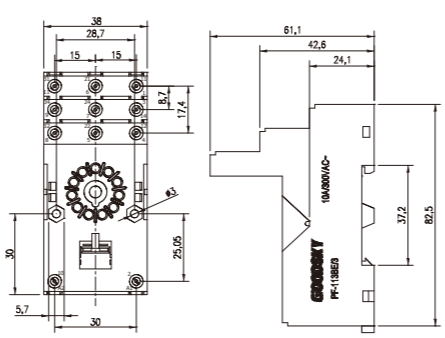
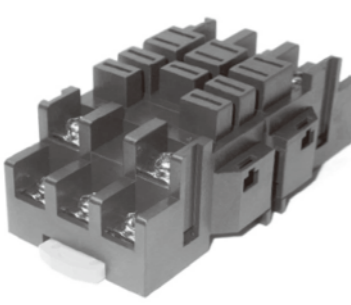
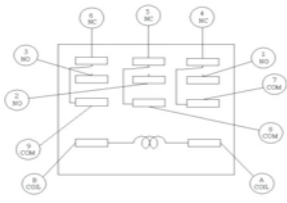

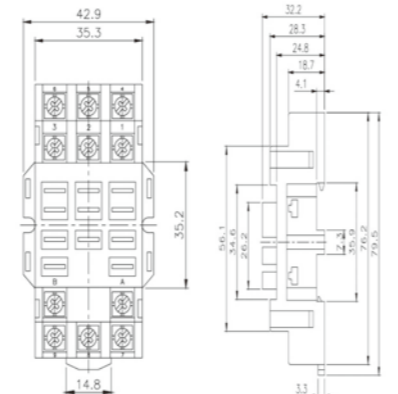


BS-50-M
Equipment

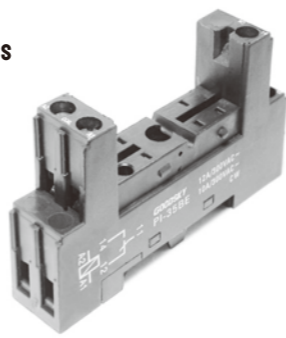
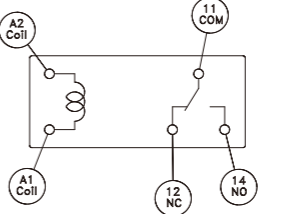
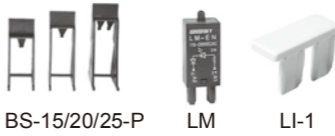
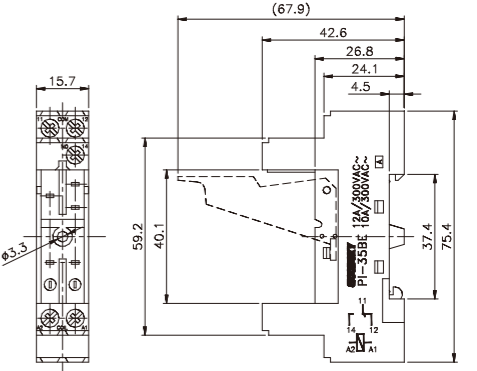
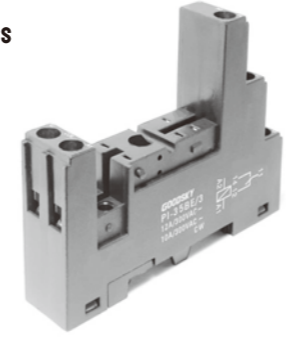
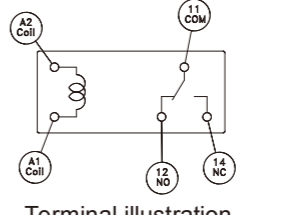
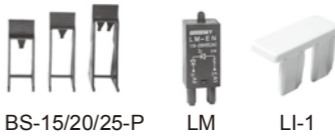
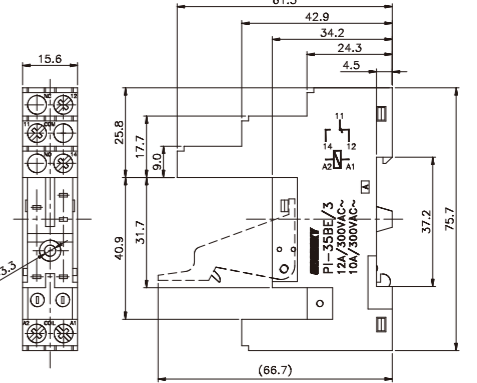
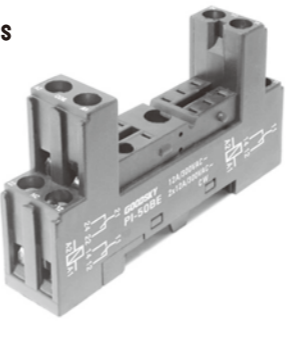
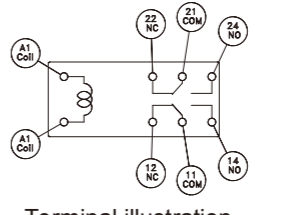
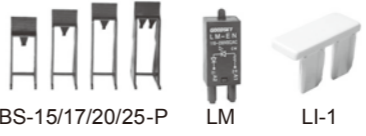
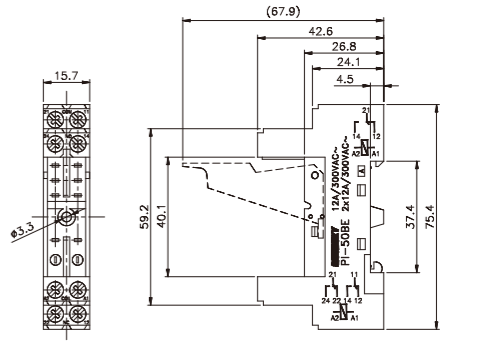
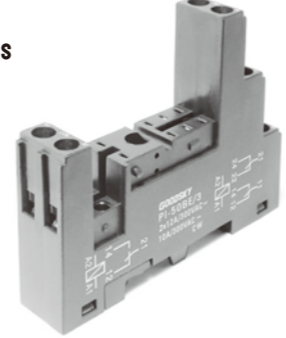
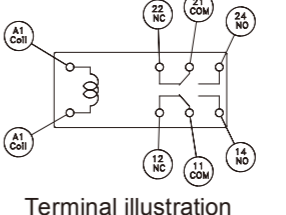
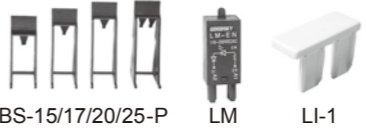
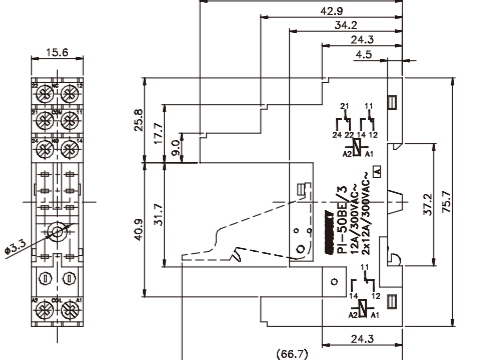


Appearance illustration

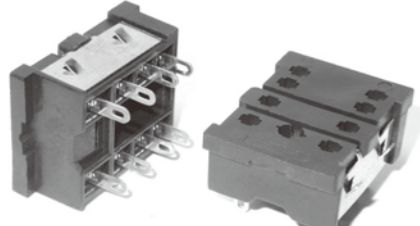

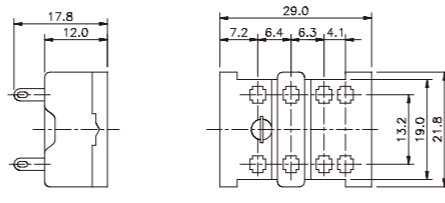
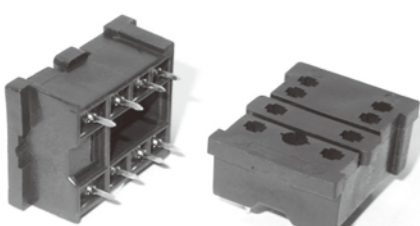

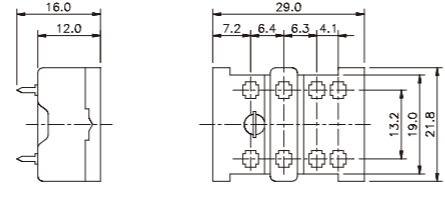
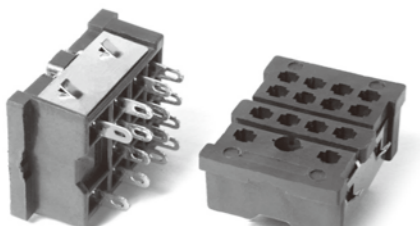

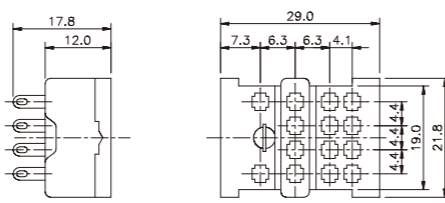
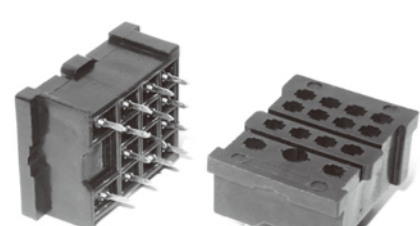

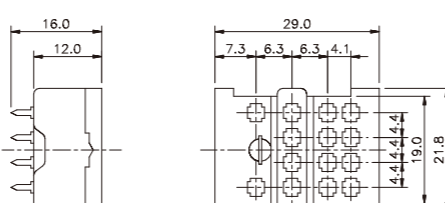
SOCKET ILLUSTRATION

<p>PF-113AE</p> 	<p>Terminal illustration</p>  <p>BS-50-M Equipment</p> 	<p>Appearance illustration</p> 
<p>PF-113BE</p> 	<p>Terminal illustration</p>  <p>BS-50-MS Equipment</p> 	<p>Appearance illustration</p> 
<p>PF-113BE/3</p> 	<p>Terminal illustration</p>  <p>BS-50-MS LM</p> 	<p>Appearance illustration</p> 
<p>PPF-11A / PPF-11AE</p> 	<p>Terminal illustration</p>  <p>BS-69-M Equipment</p> 	<p>Appearance illustration</p> 

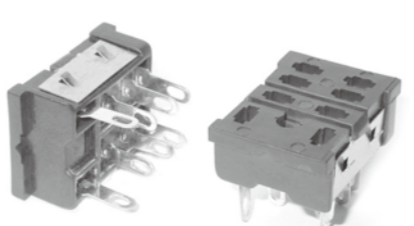

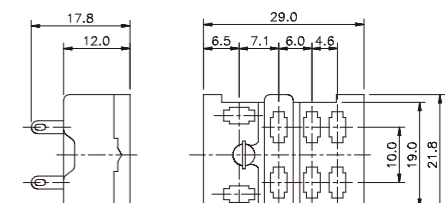
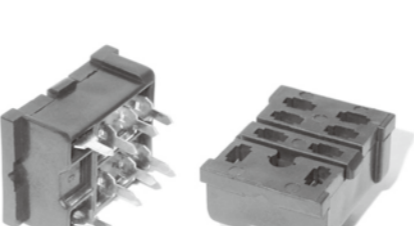

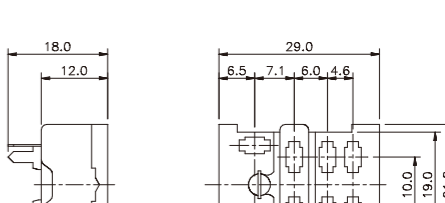
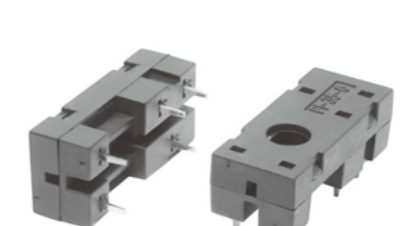


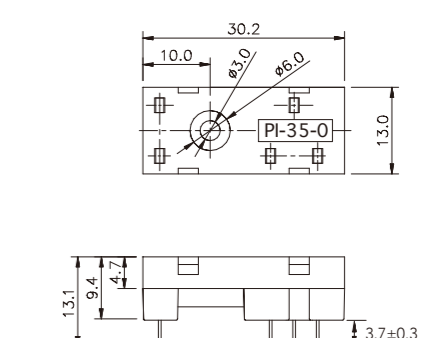
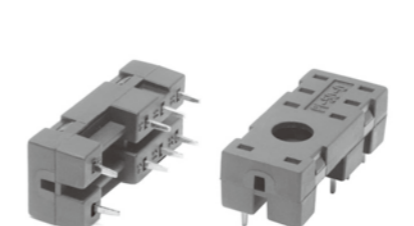


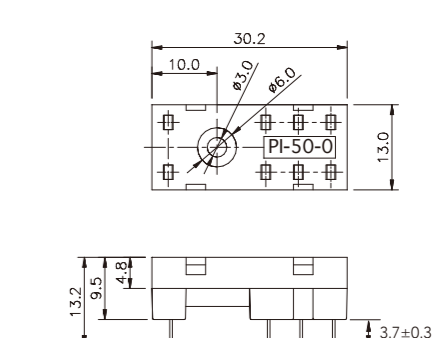
SOCKET ILLUSTRATION

<p>PI-35BE</p> 	<p>Terminal illustration</p>  <p>BS-15/20/25-P LM LI-1</p> 	<p>Appearance illustration</p> 
<p>PI-35BE/3</p> 	<p>Terminal illustration</p>  <p>BS-15/20/25-P LM LI-1</p> 	<p>Appearance illustration</p> 
<p>PI-50BE</p> 	<p>Terminal illustration</p>  <p>BS-15/17/20/25-P LM LI-1</p> 	<p>Appearance illustration</p> 
<p>PI-50BE/3</p> 	<p>Terminal illustration</p>  <p>BS-15/17/20/25-P LM LI-1</p> 	<p>Appearance illustration</p> 

SOCKET ILLUSTRATION

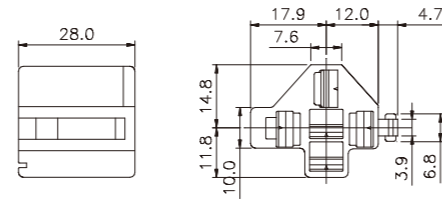
<p>PY-08</p> 	 <p>BP-36-MS Equipment</p>	 <p>Appearance illustration</p>
<p>PY-08-0</p> 	 <p>BP-36-MS Equipment</p>	 <p>Appearance illustration</p>
<p>PY-14</p> 	 <p>BP-36-MS Equipment</p>	 <p>Appearance illustration</p>
<p>PY-14-0</p> 	 <p>BP-36-MS Equipment</p>	 <p>Appearance illustration</p>

SOCKET ILLUSTRATION

<p>PT-08</p> 	 <p>BP-36-MS Equipment</p>	 <p>Appearance illustration</p>
<p>PT-08-0</p> 	 <p>BP-36-MS Equipment</p>	 <p>Appearance illustration</p>
<p>PI-35-0</p> 	 <p>BP-15/20/25-MS (15/20/25mm) (Metal)</p>  <p>BP-15/20/25-PS (15/20/25mm) (Plastic) Equipment</p>	 <p>Appearance illustration</p>
<p>PI-50-0</p> 	 <p>BP-15/20/25-MS (15/20/25mm) (Metal)</p>  <p>BP-15/20/25-PS (15/20/25mm) (Plastic) Equipment</p>	 <p>Appearance illustration</p>

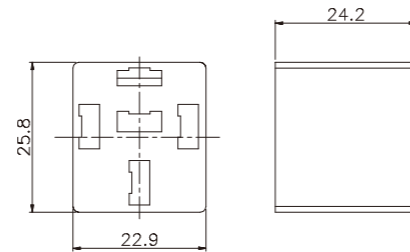
SOCKET ILLUSTRATION

UC3003



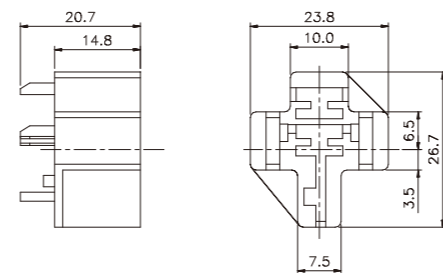
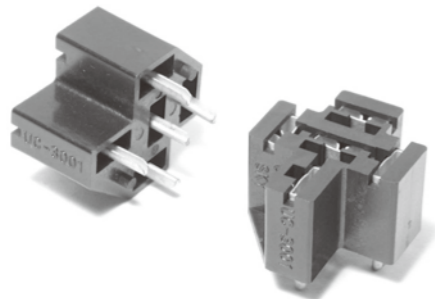
Appearance illustration

CS3770



Appearance illustration

UC3001

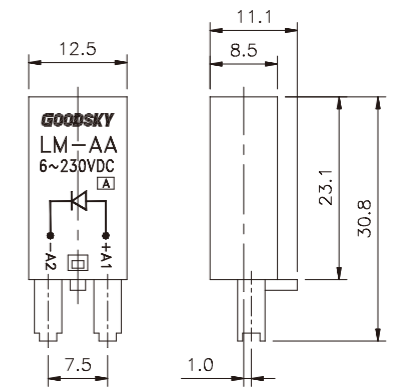


Appearance illustration

RETAINING CLIP FOR SOCKETS ORDERING INFORMATION

B	P	-15	-P	S	Retainer Type:	Nil: For PYF-xxA, PYF-xxBE, PTF-xxA, PF-xxA, PI-xxBE S: For PF-xxBE, PY, PT, PI-xx-0
					Material:	P: Plastic M: Metal
					Suit Relay High:	-15: 15.0~16.5mm -20: 20.0~20.5mm -25: 25.0~25.5mm -29: 29mm (for PYF) -36: 34.6~35.7mm (for PYF, PTF, PY, PT) -50: 50mm (for PF) -60: 69.0~70.0mm (for PPF)
					Socket Type:	P: PCB Socket S: DIN-Rail Socket B: Retaining Clip
					Item:	

LED Module



Appearance illustration

LED Module Wiring Diagrams

AC	AB	BC	BD	BE	CF	CG
6/230 V DC -A1 +A2	6/230 V DC +A1 -A2	6/24 V DC -A1 +A2	24/60 V DC -A1 +A2	110/230 V DC -A1 +A2	6/24 V DC +A1 -A2	24/60 V DC +A1 -A2
CH	DI	DJ	DK	EL	EM	EN
110/230 V DC +A1 -A2	6/24 V AC +A1 -A2	24/60 V AC +A1 -A2	110/240 V AC +A1 -A2	6/24 V AC/DC +A1 -A2	24/60 V AC/DC +A1 -A2	110/230 V AC/DC +A1 -A2
FO	FP	FQ	FR	GR	GS	GT
6/24 V AC/DC +A1 -A2	24/60 V AC/DC +A1 -A2	110/230 V AC/DC +A1 -A2	12/48 V AC/DC +A1 -A2	24 V AC +A1 -A2	115 V AC +A1 -A2	230 V AC +A1 -A2
HU	JV	JW	JX			
110/230 V AC +A1 -A2	6/24 V AC/DC +A1 -A2	24/60 V AC/DC +A1 -A2	110/230 V AC/DC +A1 -A2			

LED MODULE ORDERING INFORMATION

LM	- AC	- G	LED Color:	Nil: Red G: Green
			Area Code:	AC, AB BC, BD, BE CF, CG, CH DI, DJ, DK EL, EM, EN FO, FP, FQ, FR GR, GS, GT HU JV, JW, JX
			Item:	LM: LED Module

IDENTIFICATION BOARD

L	E	-1	Type:	1: Standard Type
			Suit Socket Model:	E: PYF-BE Model I: PI-BE Model
			Item:	L: Identification Board