

## Main Feature

1. High reliability in dry circuit condition.
2. 2.54mm terminal pitch employment equivalent to I.C. Terminal.
3. Two types of coil sensitivity for design flexibility.
4. IC compatibility due to its low power consumption.
5. Comply with RoHS and REACH regulations



## Contact Rating

Load Type	AZ (DM/LM)	AZ (D/L)
Rated Load (Resistive)	1A 120VAC	1A 120VAC
	1A 24VDC	1A 24VDC
Rated Carrying Current	1A	1A
Max. Allowable Voltage	AC 120V	AC 120V
	DC 60V	DC 60V
Max. Allowable Current	1A	1A
Max. Allowable Power Force	120VA	120VA
	24W	24W
Min. Switching Load	DC 1V, 1mA	DC 1V, 1mA
Contact Material	Ag Alloy	Ag Alloy
Contact Form	SPST	SPDT

## Application

Telecommunication, Domestic Appliances, Office Machine, Audio Equipment, etc.

## Performance (at Initial Value)

- Contact Resistance ..... 100mΩ Max. @100mA, 6VDC
- Operate Time..... 5 mSec. Max. (D Type)  
10 mSec. Max. (L Type)
- Release Time ..... 4 mSec. Max.
- Dielectric Strength:  
Between Coil & Contact..... 500VAC at 50/60 Hz for one minute  
Between Contacts ..... 500VAC at 50/60 Hz for one minute
- Surge Strength ..... 1,000V (between coil & contact 1.2x50μSec.)
- Insulation Resistance ..... 100 Mega Ω Min. at 500VDC
- Max. On/Off Switching:  
Electrical ..... 30 Cycles per Minute  
Mechanical ..... 300 Cycles per Minute

- Temperature Range..... -30~+55°C (D Type)  
-30~+75°C (L Type)
- Humidity Range ..... 45~85% RH.
- Coil Temperature Rise ..... 43°C Max. (D Type)  
25°C Max. (L Type)
- Vibration:  
Endurance ..... 10 to 55 Hz dual amplitude width 1.5mm  
Error Operation..... 10 to 55 Hz dual amplitude width 1.5mm
- Shock:  
Endurance ..... 500 m/S<sup>2</sup>  
Error Operation..... 100 m/S<sup>2</sup>
- Life Expectancy:  
Mechanical ..... 10<sup>7</sup> Operations at No Load condition  
Electrical ..... 10<sup>5</sup> Operations at Rated Resistive Load
- Weight ..... About 3.5 g

## Safety Standard & File Number

- UL & C-UL .....E141060
- TÜV .....R50192493

## Coil Specification (at 20°C)

Coil Sensitivity	Nominal Voltage (VDC)	Nominal Current (mA)	Coil Resistance ( $\Omega \pm 10\%$ )	Power Consumption (W)	Pull-In Voltage (VDC)	Drop-Out Voltage (VDC)	Maximum Allowable Voltage (VDC)
AZ-D	3	150	20	Abt. 0.45	70% Maximum	5% Minimum	130%
	5	89	56				
	6	75	80				
	9	50	180				
	12	37.5	320				
AZ-L	24	18.8	1,280	Abt. 0.20	75% Maximum	5% Minimum	130%
	3	66.7	45				
	5	40	125				
	6	33.3	180				
	9	22.5	400				
	12	17	700				
	24	8.6	2,800				

## Ordering Information

AZ - SS - 1 12 D M

**Contact Form:**

**Nil:** One Form C

**M:** One Form A

**Coil Sensitivity:**

**D:** Standard DC

**L:** High DC

**Coil Voltage:**

**03:** 3V, **05:** 5V, **06:** 6V, **09:** 9V, **12:** 12V, **24:** 24V

**Number of Pole:**

**1:** One Pole

**Type of Sealing:**

**SS:** RT II Flux Proofed

**SH:** RT III Wash Tight

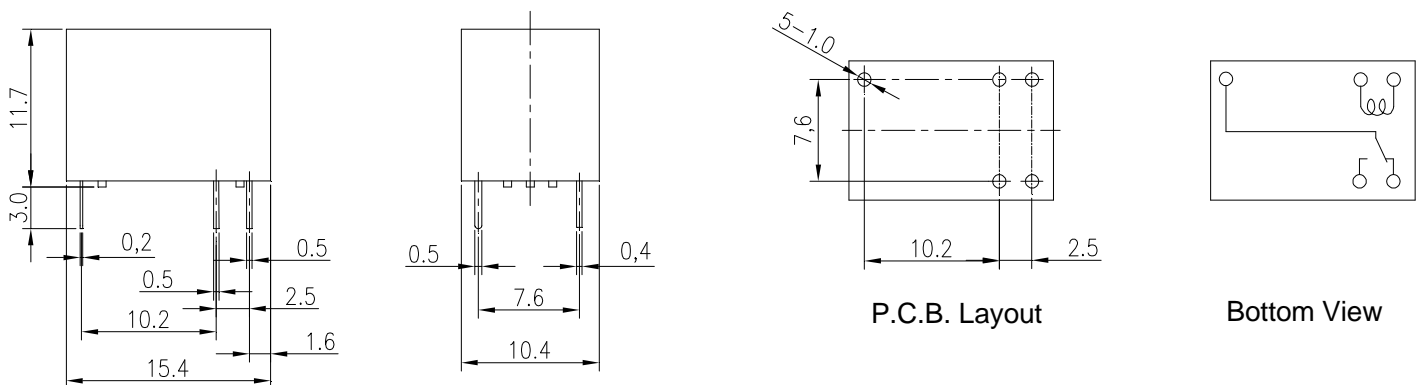
**Type:**

**AZ**

## Classification

Model	AZ			
Coil Sensitivity	Standard DC		High DC	
Contact Form	1C	1A	1C	1A
Flux Proofed	AZ-SS-1□□D	AZ-SS-1□□DM	AZ-SS-1□□L	AZ-SS-1□□LM
Wash Tight	AZ-SH-1□□D	AZ-SH-1□□DM	AZ-SH-1□□L	AZ-SH-1□□LM

**Dimension ( $\leq 5\text{mm} \pm 0.2\text{mm}$ ,  $> 5\text{mm} \pm 0.3\text{mm}$ , the tolerance of PCB thru hole:  $+0.1\text{mm}$ )**



V.01DS