

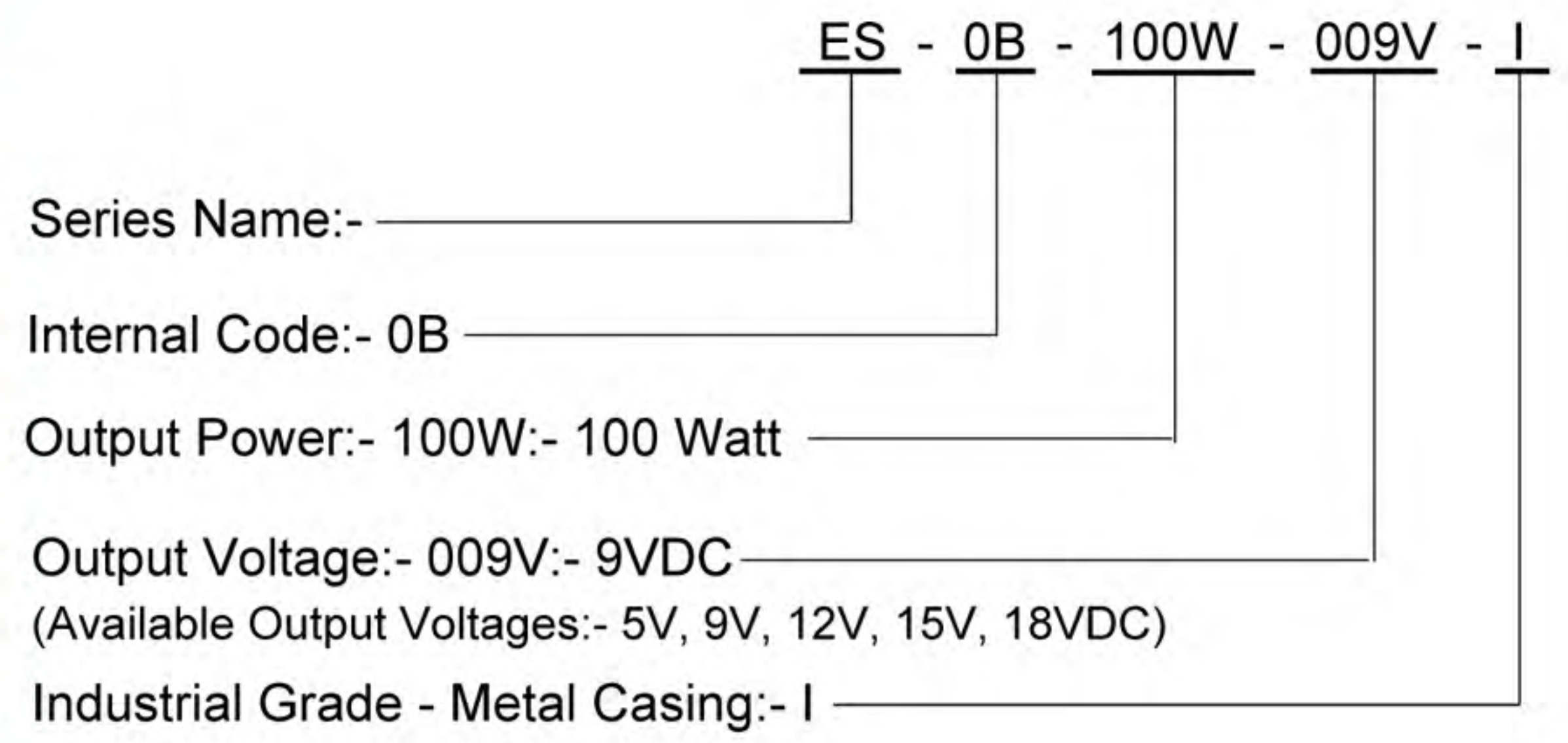
---

**leOne<sup>®</sup>**

ES-0B-100W

**POWER SUPPLY**

Single Output Switching Power Supply



#### Features:

- AC input voltage range selected by switch
- Small volume, low weight, high efficiency
- Protections : short circuit/over load/over voltage
- Cooling by free air convection
- LED indicator for power on
- 100% full load burn-in test

## Specifications:-

Model		005V	009V	012V	015V	018V
Output	DC voltage	5V	9V	12V	15V	18V
	Voltage tolerance	± 1%	± 1%	± 1%	± 1%	± 1%
	Rated current	20A	11.2A	8.3A	7A	5.6A
	Current range	0 ~ 20A	0~11.2A	0 ~ 8.3A	0 ~ 6.7A	0~5.6A
	Rated power	100W	100W	100W	100W	100W
	Ripple&noise	80mVp-p	120mVp-p	120mVp-p	120mVp-p	120mVp-p
	DC voltage ADJ. range	-9% ~ +10%	± 10%	± 10%	± 10%	± 10%
	Setup, rise, hold up time	500ms,20ms,24ms/230VAC.800ms,30ms,20ms/115VAC				
Input	Voltage range	90 ~ 132VAC/180 ~ 264VAC 47 ~ 63Hz(Selected by switch), 254 ~ 373VDC				
	AC current	2.4A/115VAC 1.2A/230VAC				
	Efficiency	79%	83%	83%	84%	85%
	Inrush current	Cold start 18A/115V 36A/230VAC				
	leakage current	< 3.5mA/240VAC				
Protection	Overload	Rated output power115% ~ 135%Start overload protection				
		Protection type: hiccup mode, auto-recovery after fault condition is removed				
	Over voltage	6.2 ~ 6.8V	10.4 ~ 12.2V	15 ~ 16V	18 ~ 20V	20.7 ~ 24.3V
Environment	Working temp, humidity	-10°C ~ +60°C;20% ~ 90%RH(Please refer to "derating curve" )				
	Storage temp, humidity	-20°C ~ +85°C;10% ~ 95%RH Non-condensing				
	Withstand vibration	10 ~ 500Hz, 2G 10min./1Cycle, Period for 60min, Each axes				
Safety	Withstand voltage	I/P-O/P: 1.5KVAC I/P-FG: 1.5KVAC O/P-FG: 0.5KVAC				
	Isolation resistance	I/P-O/P: I/P-FG,O/P-FG: 100M Ohms/500VDC				
Others	Weight	0.48kg 159*97*38 ( L*W*H )				
	Packing	0.48kg/45pcs/22.5kg/0.9CUFT				

Note: 1. All parameters NOT specially mentioned are measured at 230VAC input, rated load and 25°C of ambient temperature.

2. Ripple & noise are measured at 20MHz of bandwidth by using a 12" twisted pair-wire terminated with a 0.1uf & 47uf parallel capacitor.

3. Tolerance : includes set up tolerance, line regulation and load regulation.

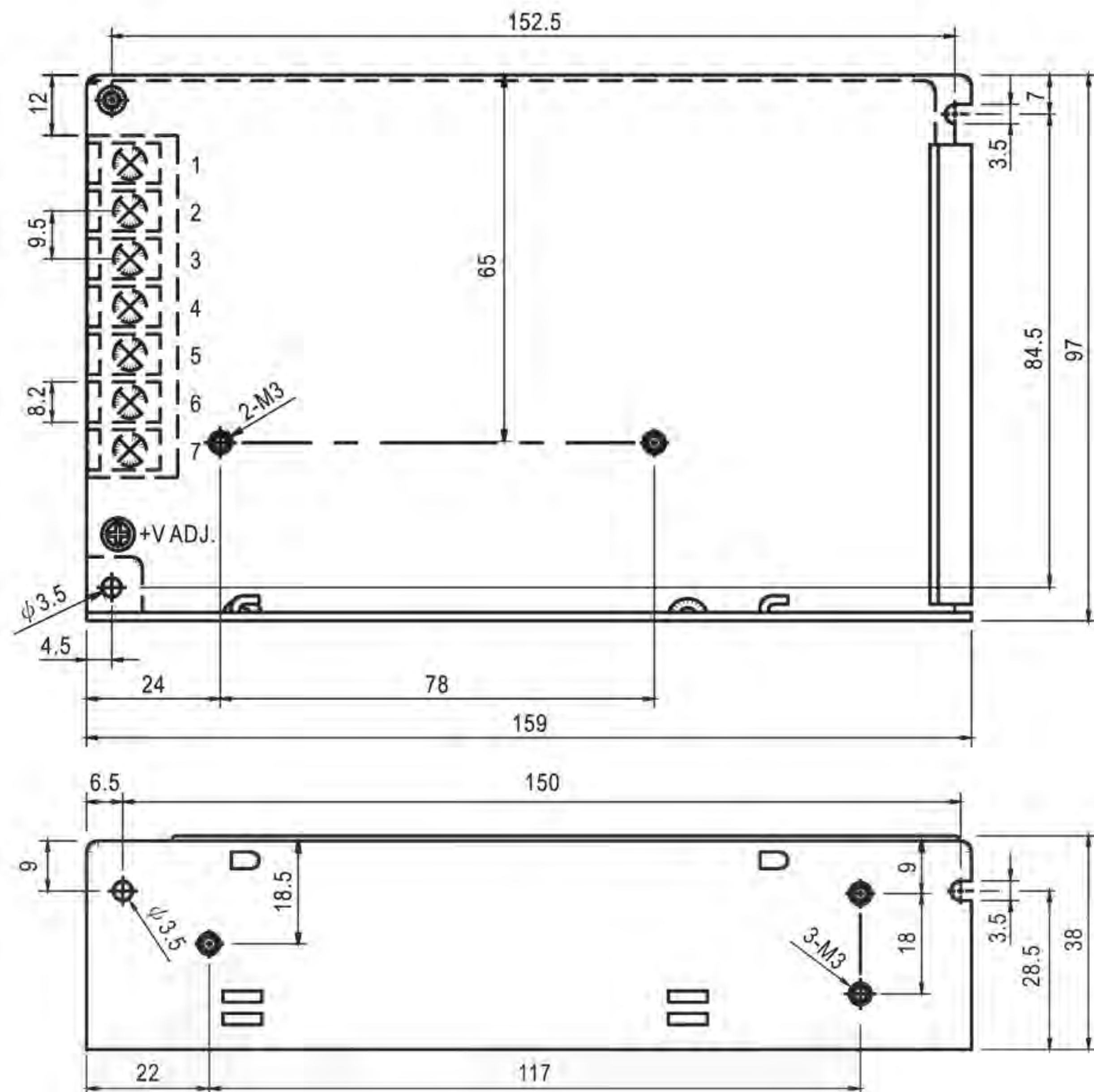
# Mechanical Specifications:-

Unit:mm

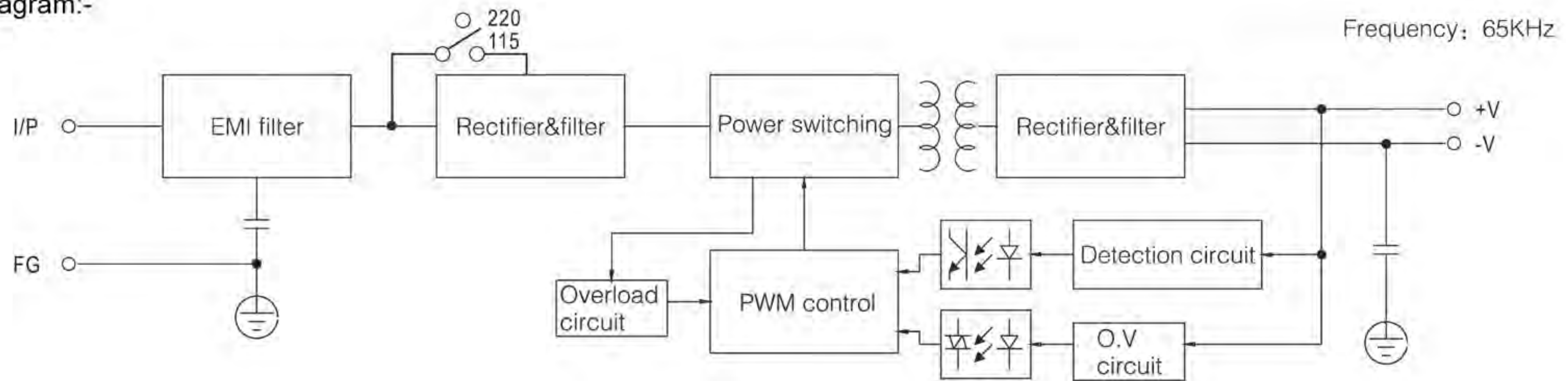
Dimension: 159 × 97 × 38mm

Terminal Pin No.Assignment

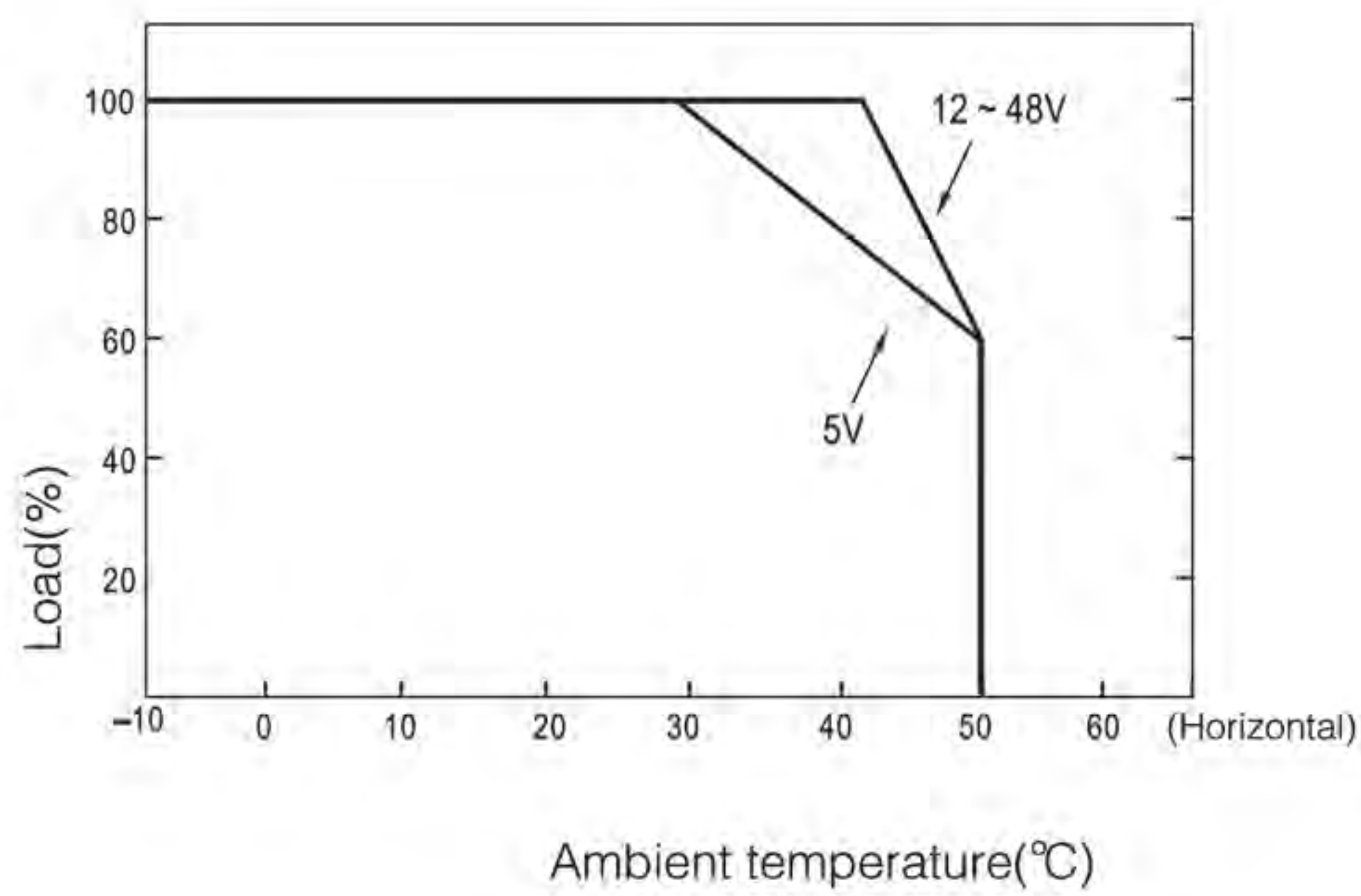
Pin No.	Assignment	Pin No.	Assignment
1	AC/L	4 ~ 5	DC OUTPUT -V
2	AC/N	6 ~ 7	DC OUTPUT +V
3	FG $\oplus$		



Block diagram:-



Derating Curve:-



Static Characteristic:-

