



GT-C1602A-BTSW

LCD

16 X 2 Character LCD,
Blue STN, Negative, Transmissive,
White LED Backlight.

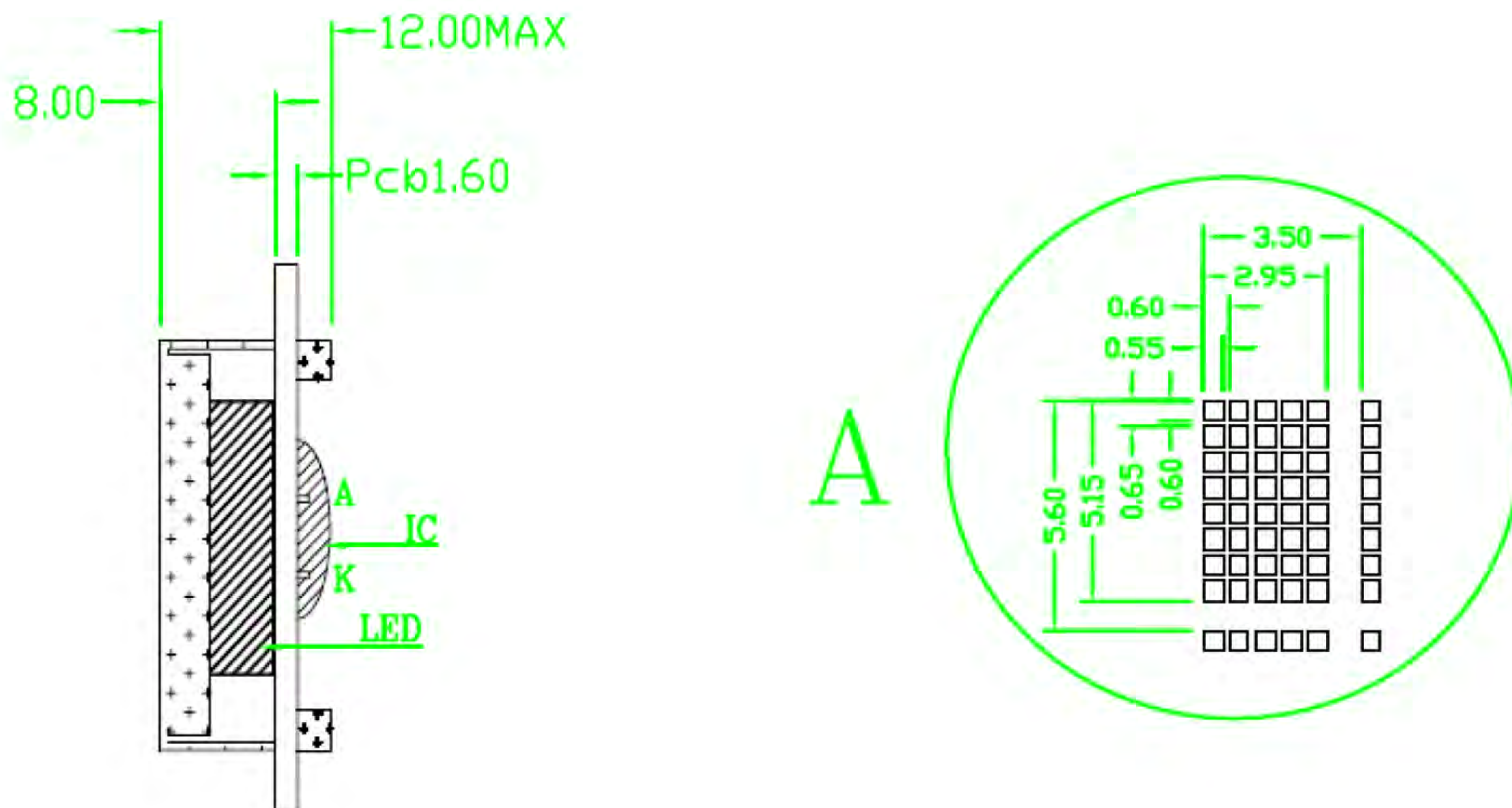
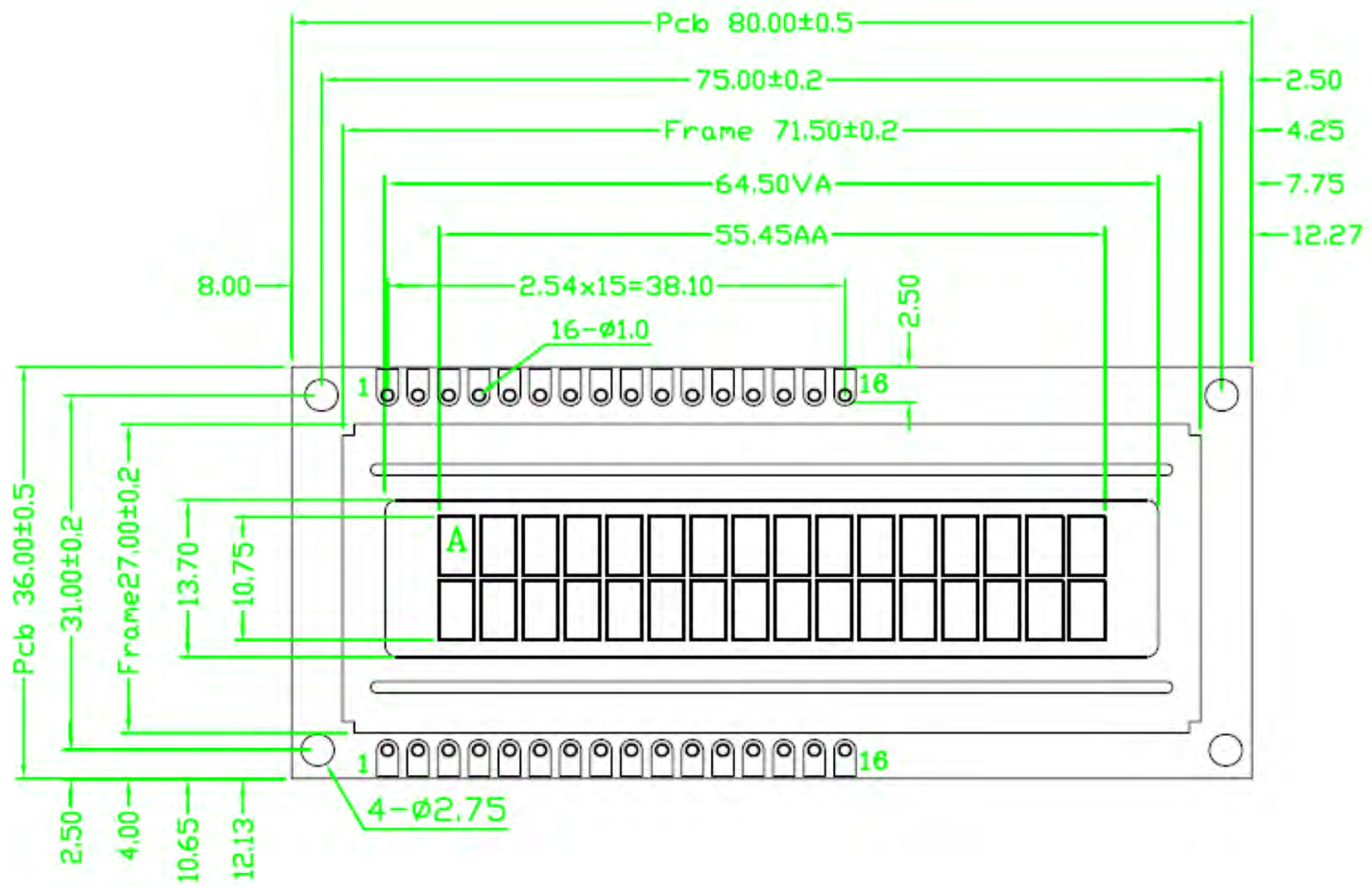
1. FEATURES

ITEM	STANDARD VALUE
DISPLAY TYPE	16CHARACTER x 2ROW
LCD TYPE	STN(BLUE), TRANSMISSIVE/NEGATIVE.
DRIVE METHOD	1/16DUTY, 1/5BIAS,VOP4.7V, VDD5.0V.
VIEWING ANGLE	6 O'CLOCK
BACKLIGHT	WHITE(SIDE),VDD5.0V,Idd15mA.
DRIVE IC	KS0066U
OPERATING TEMP	-20 TO 70°C
STORAGE TEMP	-30 TO 80°C
CONNECTION	ZEBRA

2. PIN CONNECTIONS

NO.	SYMBOL	DESCRIPTION
1	VSS	GROUND
2	VDD	POWER SUPPLY FOR LOGIC(+5V)
3	V0	OPERATING VOLTAGE FOR LCD
4	RS	DATA/INSTRUCTION SELECT
5	RW	READ/WRITE CONTROL
6	E	ENABLE SIGNAL
7-14	DB0-DB7	DATA BUS
15	LED +	BACKLIGHT POSITIVE
16	LED -	BACKLIGHT NEGATIVE

3. PHYSICAL DIMENSION



4. MECHANICAL SPECIFICATIONS

ITEM	STANDARD VALUE	UNIT
OUTLINE DIMENSION	80.00(L) x 36.00(W) x 12.00(H)	mm
VIEWING AREA	64.50(L) x 13.70(W)	mm
ACTIVE AREA	55.45(L) x 10.75(W)	mm
DOTS SIZE	0.55(L) x 0.60(W)	mm
DOTS PITCH	0.60(L) x 0.65(W)	mm
CHARACTER SIZE	2.95(L) x 5.15(W)	mm
CHARACTER PITCH	3.50(L) x 5.60(W)	mm

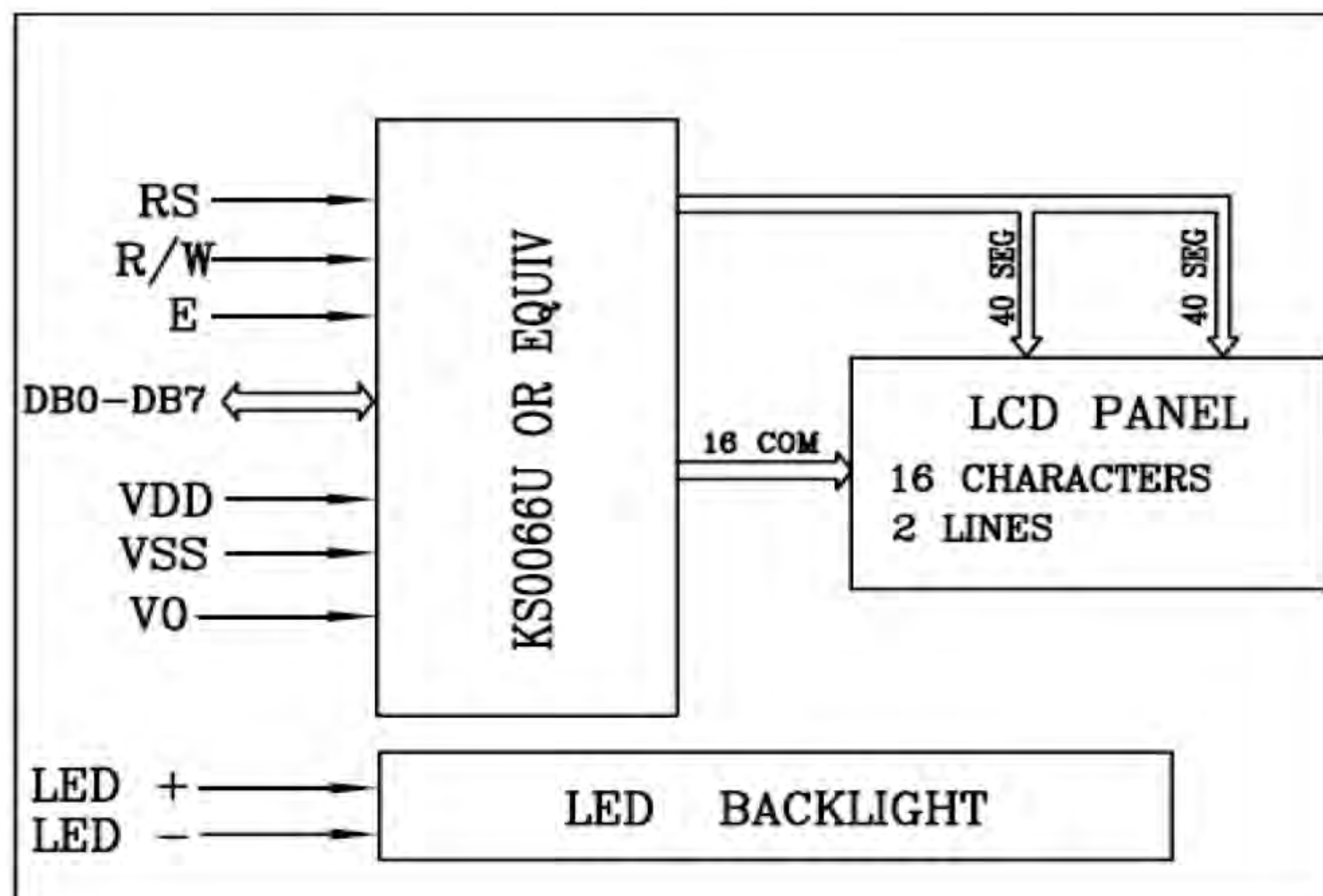
5. ABSOLUTE MAXIMUM RATING

ITEM	SYMBOL	MIN	MAX	UNIT
POWER SUPPLY(LOGIC)	VDD-VSS	0	7.0	V
POWER SUPPLY(LCD DRV.)	VDD-V0	-0.3	13.5	V
INPUT VOLTAGE	V _{in}	-0.3	VDD+0.3	V

6. ELECTRICAL CHARACTERISTICS

ITEM	SYMBOL	MIN	TYP	MAX	UNIT	
VOLTAGE FOR LOGIC	VDD-VSS	4.75	5.0	5.25	V	
SUPPLY CURRENT	I _{DD}	-	1.3	2.2	mA	
LCD DRIVER VOLTAGE	VDD-V0	0°C	4.8	5.0	5.2	V
		25°C	4.6	4.7	4.8	V
		40°C	4.4	4.5	4.6	V
INPUT VOLTAGE	V _{ih}	0.8VDD	-	VDD	V	
	V _{il}	GND	-	0.3VDD	V	
OUTPUT VOLTAGE	V _{oh}	0.7VDD	-	VDD	V	
	V _{ol}	GND	-	0.2VDD	V	

7. BLOCK DIAGRAM



8. APPLICATIONS

1. Medical Equipments.
2. Instrumentations.
3. Timer & controllers.
4. UPS
5. Vending Machine
6. Weighing Machine.