



GT-G12864A-BTSES

LCD

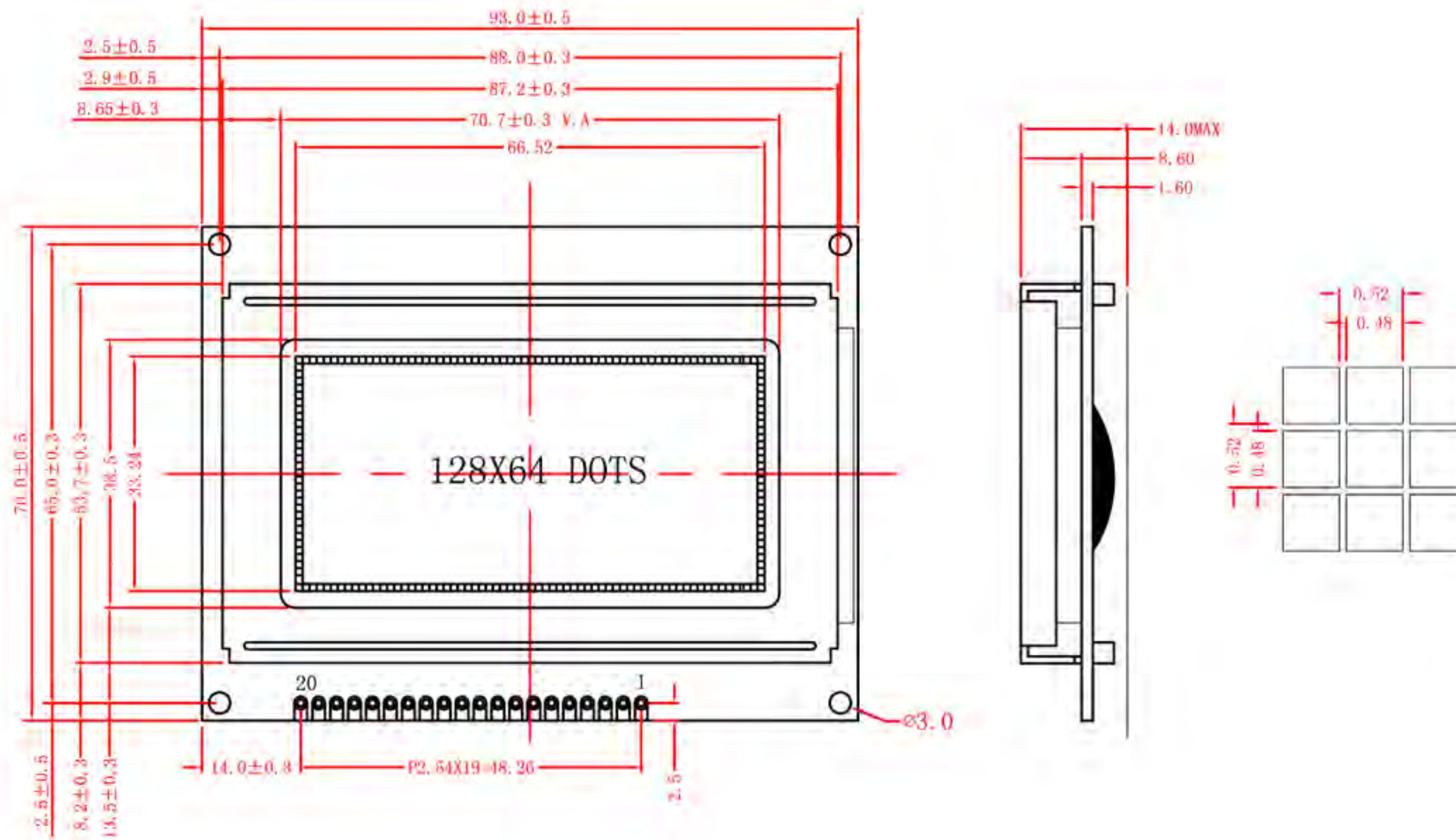
128 x 64 Graphic LCD,  
Negative Blue STN, Transmissive,  
White LED Backlight



## Mechanical Specification & Features

LTEM	NORMAL DIMENSIONS (MM)	FEATURE	
MODULE SIZE (W*H*T)	93.0 X 70.0 X 14.0	LCD TYPE	STN FSTN
VIEW AREA (W*H)	70.7 X 38.5	LCD COLOUR	STN:BLUE, GRAY FSTN:GRAY
DOTSXDOTS (W*H)	128 X 64	VIEW ANGLE	6 O' CLOCK, 12 O' CLOCK
DOT PITCH (W*H)	0.52 X 0.52	DISPLAY TYPE	POSITIVE TYPE, NEGATIVE TYPE
DOT SIZE (W*H)	0.48 X 0.48	REAR POLARIZER	TRANSMISSIVE, REFLECTIVE, TRANSFLECTIVE
---	---	OPERATING TEMPERATURE	-10°C ~ 60°C -20°C ~ 70°C
---	---	BACKLIGHT	LED:WHITE EL:GREEN, BLUE-GREEN, BLUE WITHOUT

## MODULE OUTLINE DRAWING



## ELECTRICAL CHARACTERISTICS

LTEM	SYMBOL	TEST CONDITION	MIN	TYP	MAX	UNIT
OPERATING VOLTAGE	VDD	Ta=25°C	---	5.0	---	V
OPERATING VOLTAGE FOR LCD	VLCD	Ta=25°C	---	10.5	---	V
SUPPLY CURRENT	IDD	Ta=25°C, VDD=5.0V	---	2.0	3.0	MA
SUPPLY CURRENT FOR BACKLIGHT	IF	Ta=25°C, VF=4.2V	---	300	---	MA



## INTERFACE PIN FUNCTIONS

PIN NO	SYMBOL	LEVEL	DESCRIPTION
1	VSS	—	GROUND FOR LOGIC
2	VDD	---	POWER SUPPLY FOR LOGIC
3	VO	---	POWER SUPPLY FOR LCD DRIVE
4	RS	H/L	REGISTER SELECT (H:DATA REGISTER, L:INSTRUCTION REGISTER)
5	R/W	H/L	READ/WRITE SELECTION (H:READ, L:WRITE)
6	E	H/H→L	ENABLE SIGNAL FOR LCM
7-14	DB0-DB7	H/L	DATA BUS LINES
15	CSA	H	CHIP1 SELECT SIGNAL
16	CSB	H	CHIP2 SELECT SIGNAL
17	/RST	L	RESET SIGNAL
18	VEE	—	NEGATIVE VOLTAGE OUTPUT
19	BLA	—	POWER SUPPLY FOR BACKLIGHT (+)
20	BLK	—	POWER SUPPLY FOR BACKLIGHT (-)

## BLOCK DIAGRAM

