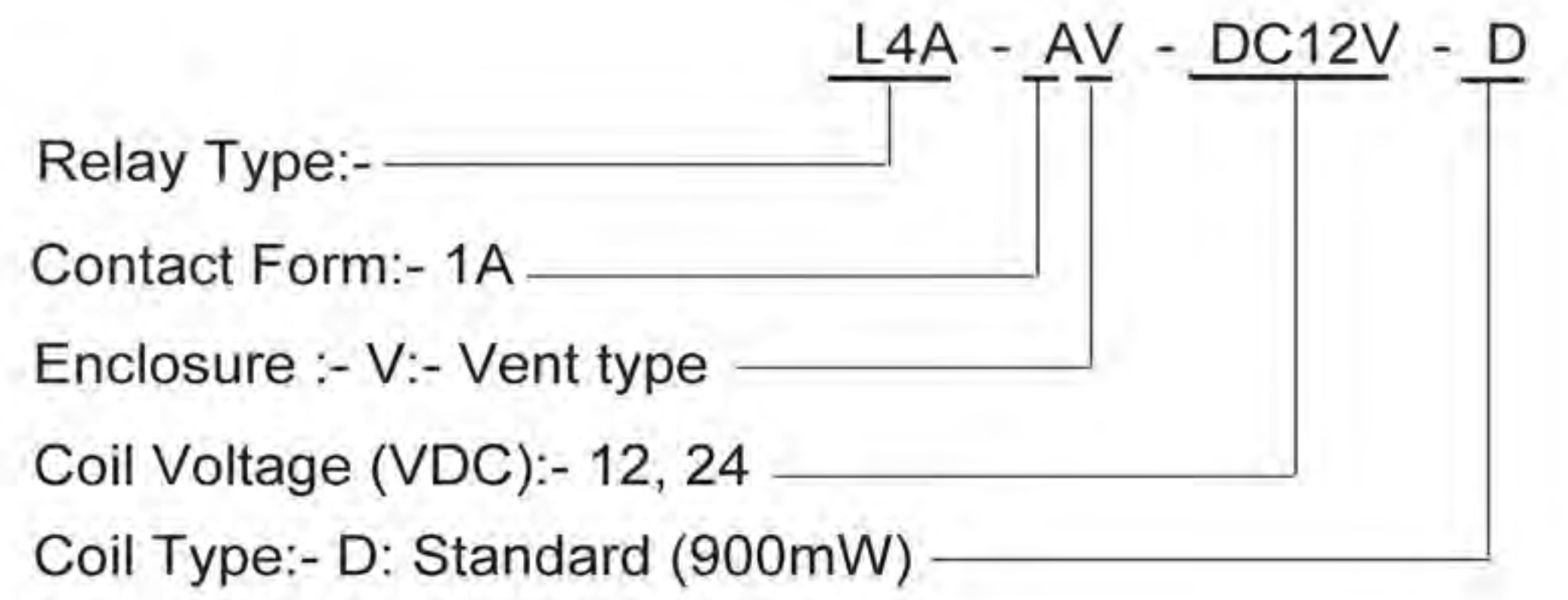


General control 25A PCB Relay

L4A



Model		L4A			
Features	Dimension L * W * H (mm)	30.5 * 16 * 23.5			
	Terminal Type	Quick connect type (Standard type) & PCB type			
	Weight	22 gm Approximately			
Contact Data	Contact Form	1A			
	Contact Material	Ag Alloy			
	Contact Capacity	25A @250VAC			
	Contact Resistance	100mΩ Max. (at 1A / 6VDC)			
Coil Data	Coil Voltage (VDC)	12, 24			
	Coil Power Consumption	900mW			
	Coil Specification	Coil Voltage	Coil Resistance (Ω) ±10%	Pull in Voltage Max. (VDC)	Drop Out Voltage Min. (VDC)
		12VDC	160	75 %	5 %
24VDC	640	75 %	5 %		
General Data	Dielectric Strength (For 1 min.)	4500VAC at 50/60Hz for one minute (Between coil & Contacts)			
		1000VAC at 50/60Hz for one minute (Between open Contacts)			
	Insulation Resistance	1000MΩ Min. at 500VDC			
	Operate / Release Time	10ms / 5ms Max.			
	Electrical Life	1 x 10 ⁵ at rated resistive load.			
	Mechanical Life	1 x 10 ⁷ at no load condition.			
	Operating Temperature	-40 °C to + 85 °C			
Dimension	Quick connect type (Standard type)				
Application	Air Conditioning, Washing Machine, etc.				