

LLI-C22600-1S1P

Battery

3.7V 2600mAh
1 x 1 Cell Li-ion Battery Pack
with PCM

Li-ion Battery Pack

LLI-C22600 3.7V 2600mA

Cell used Samsung

Technical Parameters of Li-ion Pack:

Nominal Voltage	(Cell)	3.7V	
Nominal Capacity	(Cell)	2600mAh	Typical
No of Cell		1 Cell	18650 Cell
Individual Cell Capacity		3.7V 2600mAh	18650 Cell
Discharge End Voltage		2.5V	2.5V Per Cell
Charge Upper Limit Volt		4.2 V	
Charge Current	Standard	0.5C A	
	Fast	1.0C A	
Discharge Current	Standard	0.5C A	
	Fast (Max Continuous)	1.0C A	
	Max Current (Peak)	2.0C A	
Life Cycle	Refer Technical Specs Sheet For 18650 Cell		
Operation Temperature	Charge	0 ~ 45 °C	
	Discharge	0 ~ 45 °C	
Storage Temperature	One month	- 20C ~ +45 C	
	Three months	- 20C ~ +35 C	

Protection Circuit Function:

Features	Overcharge, Over discharge, Short circuit.
Over-charge Protection Voltage	4.2V
Over-discharge Protection Voltage	2.5V
Short Circuit Protection	Provided Built-in Short Circuit Protection

Testing Condition:

Standard Charge	Constant current and constant voltage (CC/CV) Constant Current: 1300mA Upper limit Voltage: 4.2V
Standard Discharge	Constant current discharge (CC) Constant current: 1300mA End voltage: 2.5V

Mechanical Specification:

Dimension (max) inclusive Sleeve	Length (L)	56.5mm	$\pm 1\text{mm}$
	Width (W)	23.5mm	$\pm 1\text{mm}$
	Height (H)	72.0mm with PCM	$\pm 1\text{mm}$
Weight	Gram (g)	180g	$\pm 5\text{g}$

Cell Image and Diagram:

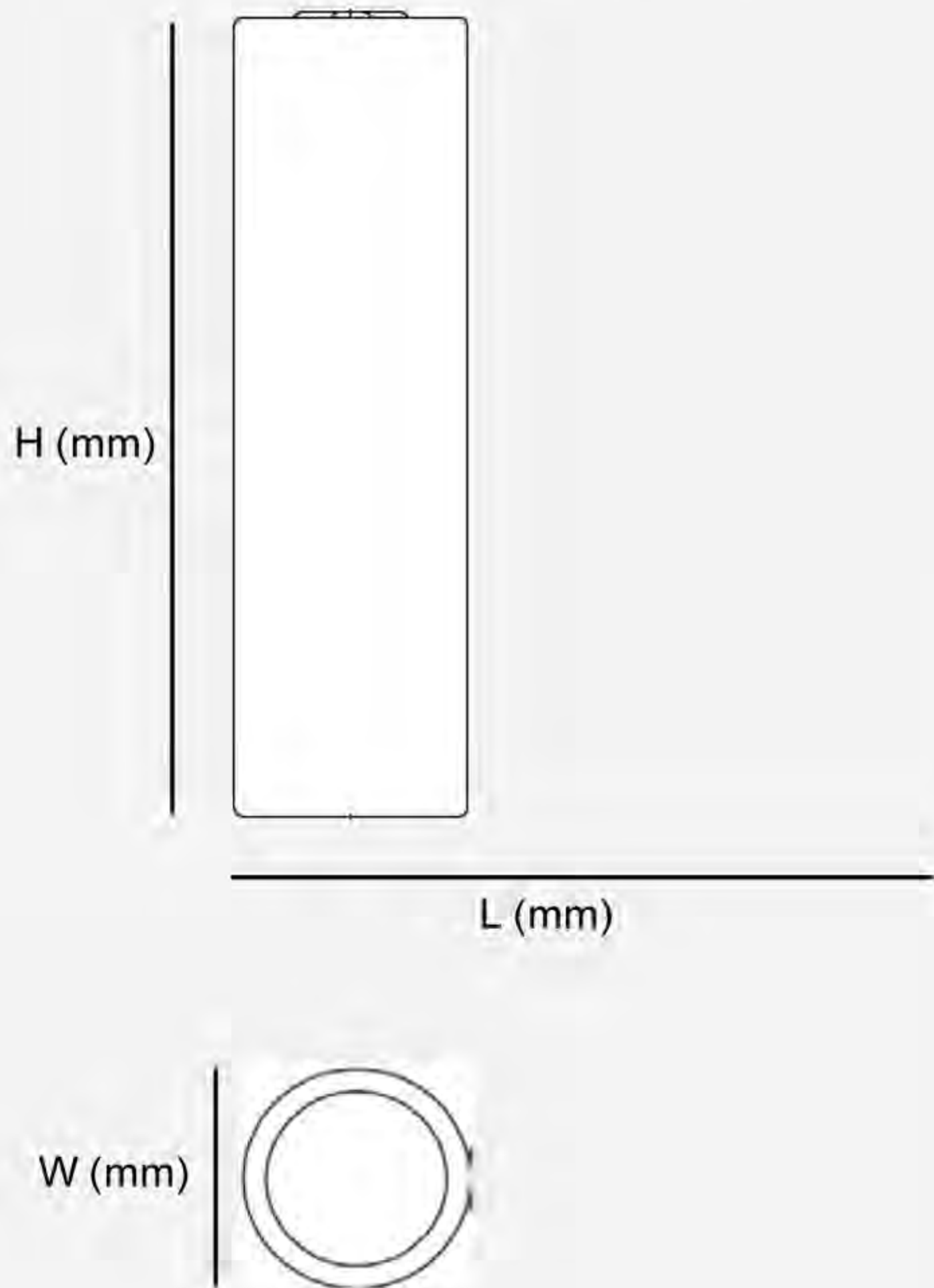


Fig a: Cell Diagram:

Handling Battery Packs: Instruction and Safety

1. Use a proper charge system (CC / CV).
2. It is strongly recommended that the battery pack is not charged above the maximum charging ratings under any Circumstances.
3. Do not throw the battery into fire, or heat.
4. Do not throw the battery pack into water. The protection circuit may get damaged and will not operate safely while charging and discharging.
5. Do not externally short-circuit the battery pack terminals. This will cause overheating and it may also get explode.
6. Do not use the battery pack in other device. Differences in specification may damage the battery pack or device.
7. Do not deform the battery pack by applying pressure etc. It may be broken, causing leakage, internal short-circuit, Overheating, explosion etc.
8. Do not disassemble the battery pack and cell.
9. Do not cut or tear at the cable and shrink wrap of the battery pack.