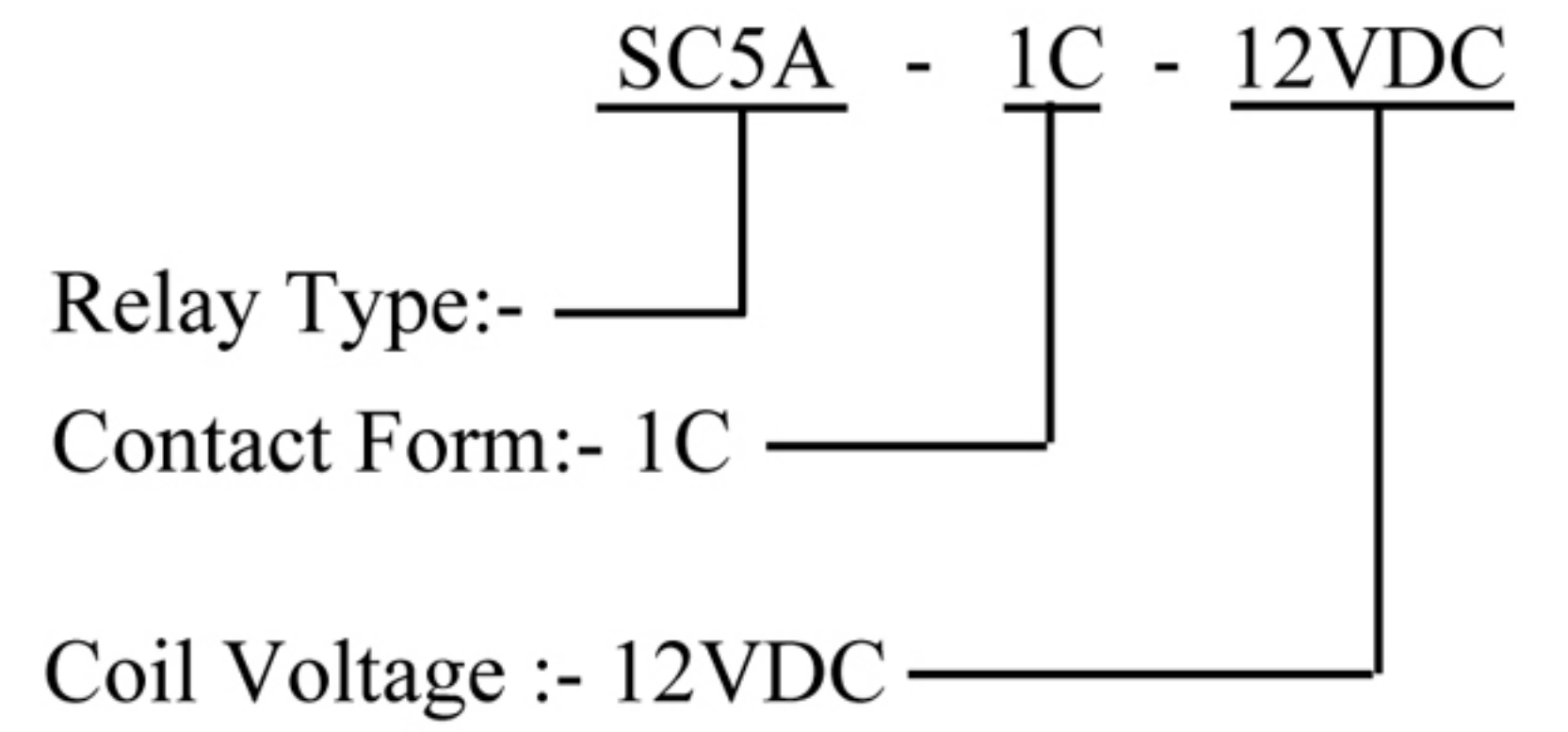


Automotive Relay

SC5A-1C-12VDC



Model		SC5A			
Features	Dimension L * W * H (mm)	19.5 x 16.5 x 16.5			
	Terminal Type	PCB			
	Weight	10.5g			
Contact Data	Contact Form	1C			
	Contact Material	Ag Alloy			
	Contact Capacity	15A/16VDC (NO), 12A/16VDC (NC)			
	Contact Resistance	≤100mΩ			
Coil Data	Coil Voltage	12VDC			
	Coil Power Consumption	0.80W			
	Coil Specification	Coil Voltage	Coil Resistance (Ω) ±10%	Pull in Voltage (≤ VDC)	Drop Out Voltage (≥ VDC)
		12VDC	180	60%	10%
General Data	Dielectric Strength	Between Contacts : 750VAC			
		Between Coil & Contacts : 1500VAC			
	Insulation Resistance	≥100MΩ			
	Electrical Life (min)	100,000			
	Mechanical Life (min)	10,000,000			
Temperature Range	-55 ~ +85 °C				
Mounting Diagram					
Application	Air Conditioner, Security Equipment, Power Windows, etc.				