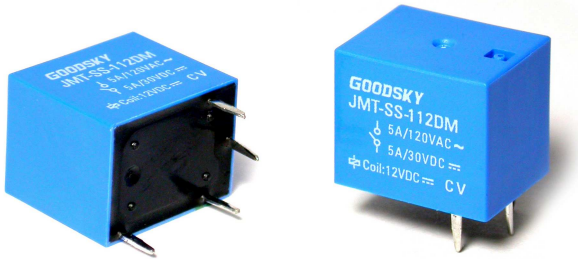


## Main Feature

1. Sugar cube relay with miniature size.
2. TV-5 120VAC with low power consumption.
3. Dielectric Strength between Coil & Contact 1,000VAC.
4. Wash tight and flux proofed type available.
5. Comply with RoHS and REACH regulations



## Contact Rating

Load Type	JMT (DM)
Rated Load (Resistive)	5A 120VAC
	5A 30VDC
Contact Capacity	TV-5 120VAC
Max. Allowable Voltage	AC 120V
	DC 30V
Max. Allowable Current	5A
Max. Allowable Power Force	600VA
	150W
Contact Material	Ag Alloy
Contact Form	SPST

## Application

LCD Monitor...etc.

## Performance (at Initial Value)

- Contact Resistance ..... 100mΩMax. @1A,6VDC
- Operate Time..... 12mSec. Max.
- Release Time ..... 6 mSec. Max.
- Dielectric Strength:
  - Between Coil & Contact..... 1,000VAC at50/60 Hz for one minute
  - Between Contacts ..... 500VAC at 50/60 Hz for one minute
- Surge Strength..... 1,500V (between coil & contact 1.2x50μSec.)
- Insulation Resistance ..... 100 MegaΩ Min. at 500VDC
- Max. On/Off Switching:
  - Electrical..... 20 Cycles per Minute
  - Mechanical ..... 300 Cycles per Minute
- Temperature Range..... -40~+55°C
- Humidity Range..... 45~85% RH.
- Coil Temperature Rise..... 50°C Max.

- Vibration:
  - Endurance..... 10 to 55 Hz dual amplitude width 1.5mm
  - Error Operation ..... 10 to 55 Hz dual amplitude width 1.5mm
- Shock:
  - Endurance ..... 1,000 m/S<sup>2</sup>
  - Error Operation ..... 100 m/S<sup>2</sup>
- Life Expectancy:
  - Mechanical ..... 10<sup>7</sup> Operations at No load condition
  - Electrical ..... 10<sup>5</sup> Operations at Rated Resistive Load
- Weight.....About 5.2 g

## Safety Standard & File Number

- NIL.

## Coil Specification (at 20 °C)

Coil Sensitivity	Nominal Voltage (VDC)	Nominal Current (mA)	Coil Resistance ( $\Omega \pm 10\%$ )	Power Consumption (W)	Pull-In Voltage (VDC)	Drop-Out Voltage (VDC)	Maximum Allowable Voltage (VDC)
JMT	3	180	16.7	Abt. 0.54	80% Maximum	5% Minimum	120%
	5	108	46.3				
	6	90	66.7				
	9	60	100				
	12	44.4	270				
	24	22.5	1,067				

## Ordering Information

JMT - SS - 1 12 D M

**Contact Form:**

**M:** One Form A

**Coil Type:**

**D:** Standard DC Coil

**Coil Voltage:**

**03:** 3V, **05:** 5V, **06:** 6V, **09:** 9V, **12:** 12V, **24:** 24V

**Number of Pole:**

**1:** One Pole

**Type of Sealing:**

**SS:** RT II Flux Proofed

**SH:** RT III Wash Tight

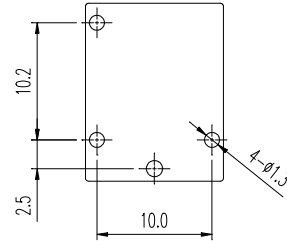
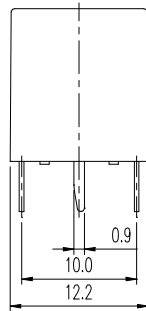
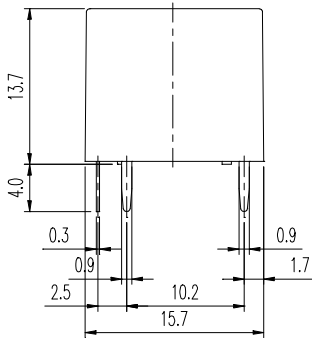
**Type:**

**JMT**

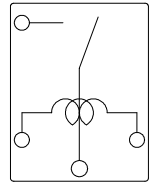
## Classification

Model	JMT
Contact Form	1A
Flux Proofed	JMT-SS-1□□DM
Wash Tight	JMT-SH-1□□DM

Dimension ( $\leq 5\text{mm} \pm 0.2\text{mm}$ ,  $> 5\text{mm} \pm 0.3\text{mm}$ , the tolerance of PCB thru hole:  $+0.1\text{mm}$ )



P.C.B. Layout



BOTTOM VIEW