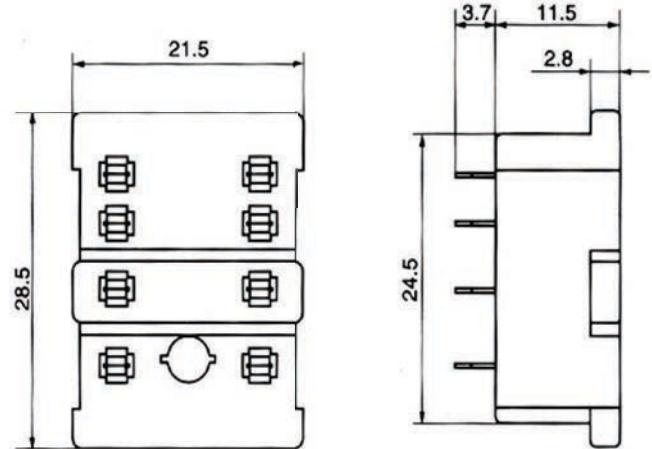
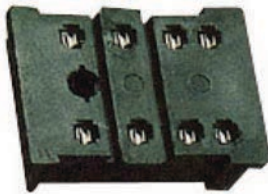


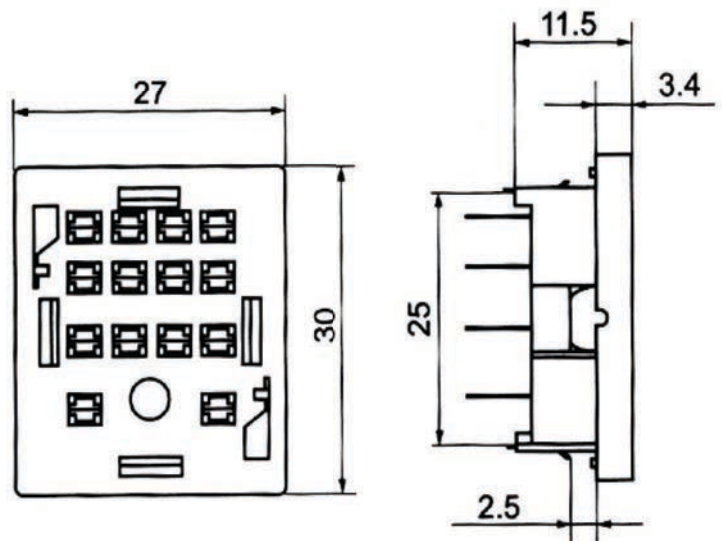
Relay Sockets

PY-08-0 / PY-14-0: Socket & PCB Terminals.

PY08 / PY-08-0



PY14 / PY-14-0



Dimensions

Suitable Relay Models -RE 2P / 4P , LP2N / 4N (2C, 4C : Form)